

CREDITS:

DESIGN - JONATHAN
 DRAWINGS - JONATHAN
 PRODUCT / SUPPLIER - FINE LINE WOOD PRODUCT NAPLES FL
 BUILDER / REMODELER - NA
 INTERIOR DESIGN - NA

DESIGNS BY JONATHAN
 DRAWINGS ON DEMAND

PRIVATE RESIDENCE
 KITCHEN

NOTE: THIS DRAWING IS FOR DESIGN PURPOSES ONLY. VERIFY ALL DEVICES IN FIELD BEFORE INSTALLATION. THIS DRAWING IS NOT NECESSARILY TO SCALE. THE DESIGN, CONCEPTS, SPECIFICATIONS AND DOCUMENTS HEREIN ARE THE PROPERTY OF DBJ AND ARE FOR GRAPHICAL REPRESENTATION ONLY. VARIATIONS IN WOOD, COLOR, SHAPE, STYLE, AND APPLIANCES WILL VARY. NO PART THEREOF SHALL BE COPIED OR OTHERWISE DISCLOSED TO, OR USED BY OTHERS WITHOUT THE WRITTEN CONSENT OF FINE DBJ UNTIL SUCH TIME AS CONTRACT BUSINESS DOCUMENTS HAVE BEEN COMPLETED BETWEEN DBJ PRODUCTS AND CUSTOMER.

1	05/21/2014	ORIGINAL	SIGN
2	05/28/2014	REVS	
3	06/09/2014	CURRENT	

SKETCH



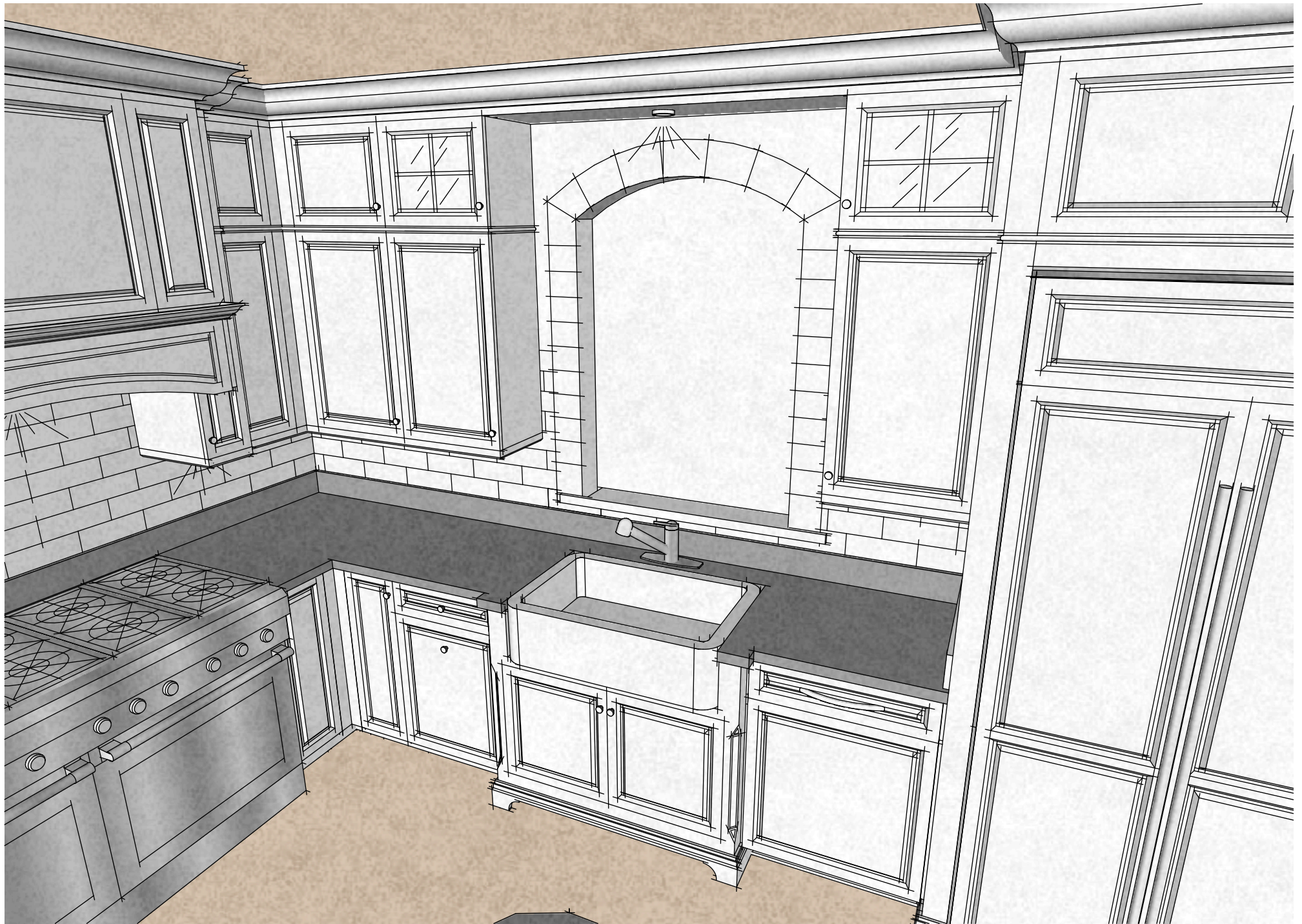
DESIGNS BY JONATHAN
DRAWINGS ON DEMAND

PRIVATE RESIDENCE
KITCHEN

NOTE: THIS DRAWING IS FOR DESIGN PURPOSES ONLY. VERIFY ALL DEVICES IN FIELD BEFORE INSTALLATION. THIS DRAWING IS NOT NECESSARILY TO SCALE. THE DESIGN, CONCEPTS, SPECIFICATIONS AND DOCUMENTS HEREIN ARE THE PROPERTY OF DBJ AND ARE FOR GRAPHICAL REPRESENTATION ONLY. VARIATIONS IN WOOD, COLOR, SHAPE, STYLE, AND APPLIANCES WILL VARY. NO PART THEREOF SHALL BE COPIED OR OTHERWISE DISCLOSED TO, OR USED BY OTHERS WITHOUT THE WRITTEN CONSENT OF FINE DBJ UNTIL SUCH TIME AS CONTRACT BUSINESS DOCUMENTS HAVE BEEN COMPLETED BETWEEN DBJ PRODUCTS AND CUSTOMER.

1	05/21/2014	ORIGINAL	SIGN
2	05/28/2014	REVS	
3	06/09/2014	CURRENT	

SKETCH



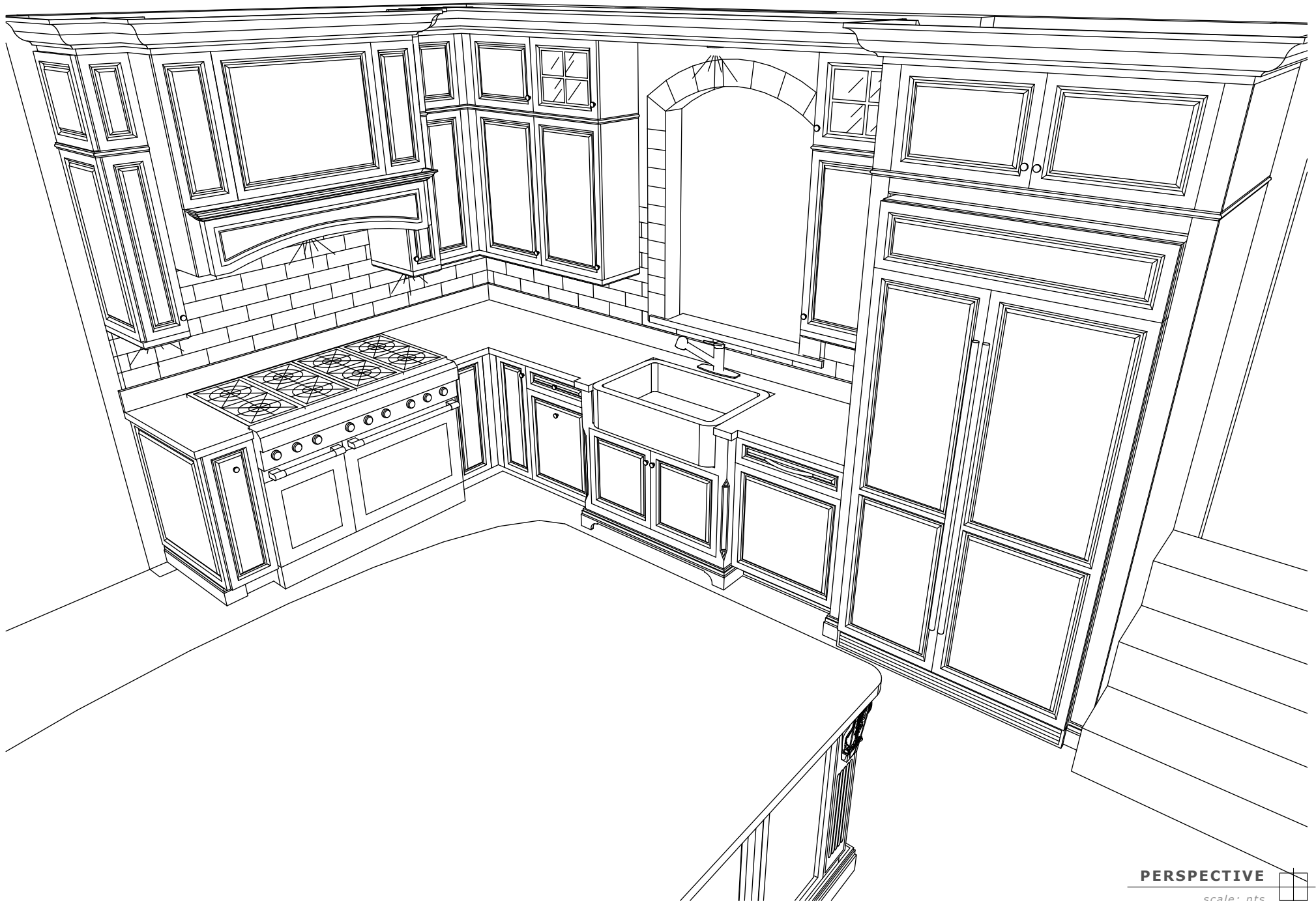
DESIGNS BY JONATHAN
DRAWINGS ON DEMAND

PRIVATE RESIDENCE
KITCHEN

NOTE: THIS DRAWING IS FOR DESIGN PURPOSES ONLY. VERIFY ALL DEVICES IN FIELD BEFORE INSTALLATION. THIS DRAWING IS NOT NECESSARILY TO SCALE. THE DESIGN, CONCEPTS, SPECIFICATIONS AND DOCUMENTS HEREIN ARE THE PROPERTY OF DBJ AND ARE FOR GRAPHICAL REPRESENTATION ONLY. VARIATIONS IN WOOD, COLOR, SHAPE, STYLE, AND APPLIANCES WILL VARY. NO PART THEREOF SHALL BE COPIED OR OTHERWISE DISCLOSED TO, OR USED BY OTHERS WITHOUT THE WRITTEN CONSENT OF FINE DBJ UNTIL SUCH TIME AS CONTRACT BUSINESS DOCUMENTS HAVE BEEN COMPLETED BETWEEN DBJ PRODUCTS AND CUSTOMER.

1	05/21/2014	ORIGINAL	SIGN
2	05/28/2014	REVS	
3	06/09/2014	CURRENT	

SKETCH



PERSPECTIVE 
scale: nts

DESIGNS BY JONATHAN
 DRAWINGS ON DEMAND

PRIVATE RESIDENCE
 KITCHEN

NOTE: THIS DRAWING IS FOR DESIGN PURPOSES ONLY. VERIFY ALL DEVICES IN FIELD BEFORE INSTALLATION. THIS DRAWING IS NOT NECESSARILY TO SCALE. THE DESIGN, CONCEPTS, SPECIFICATIONS AND DOCUMENTS HEREIN ARE THE PROPERTY OF DBJ AND ARE FOR GRAPHICAL REPRESENTATION ONLY. VARIATIONS IN WOOD, COLOR, SHAPE, STYLE, AND APPLIANCES WILL VARY. NO PART THEREOF SHALL BE COPIED OR OTHERWISE DISCLOSED TO, OR USED BY OTHERS WITHOUT THE WRITTEN CONSENT OF FINE DBJ UNTIL SUCH TIME AS CONTRACT BUSINESS DOCUMENTS HAVE BEEN COMPLETED BETWEEN DBJ PRODUCTS AND CUSTOMER.

1	05/21/2014	ORIGINAL	SIGN
2	05/28/2014	REVS	
3	06/09/2014	CURRENT	

PERSP



DESIGNS BY JONATHAN
DRAWINGS ON DEMAND

PRIVATE RESIDENCE
KITCHEN

NOTE: THIS DRAWING IS FOR DESIGN PURPOSES ONLY. VERIFY ALL DEVICES IN FIELD BEFORE INSTALLATION. THIS DRAWING IS NOT NECESSARILY TO SCALE. THE DESIGN, CONCEPTS, SPECIFICATIONS AND DOCUMENTS HEREIN ARE THE PROPERTY OF DBJ AND ARE FOR GRAPHICAL REPRESENTATION ONLY. VARIATIONS IN WOOD, COLOR, SHAPE, STYLE, AND APPLIANCES WILL VARY. NO PART THEREOF SHALL BE COPIED OR OTHERWISE DISCLOSED TO, OR USED BY OTHERS WITHOUT THE WRITTEN CONSENT OF FINE DBJ UNTIL SUCH TIME AS CONTRACT BUSINESS DOCUMENTS HAVE BEEN COMPLETED BETWEEN DBJ PRODUCTS AND CUSTOMER.

1	05/21/2014	ORIGINAL	SIGN
2	05/28/2014	REVS	
3	06/09/2014	CURRENT	

PERSP



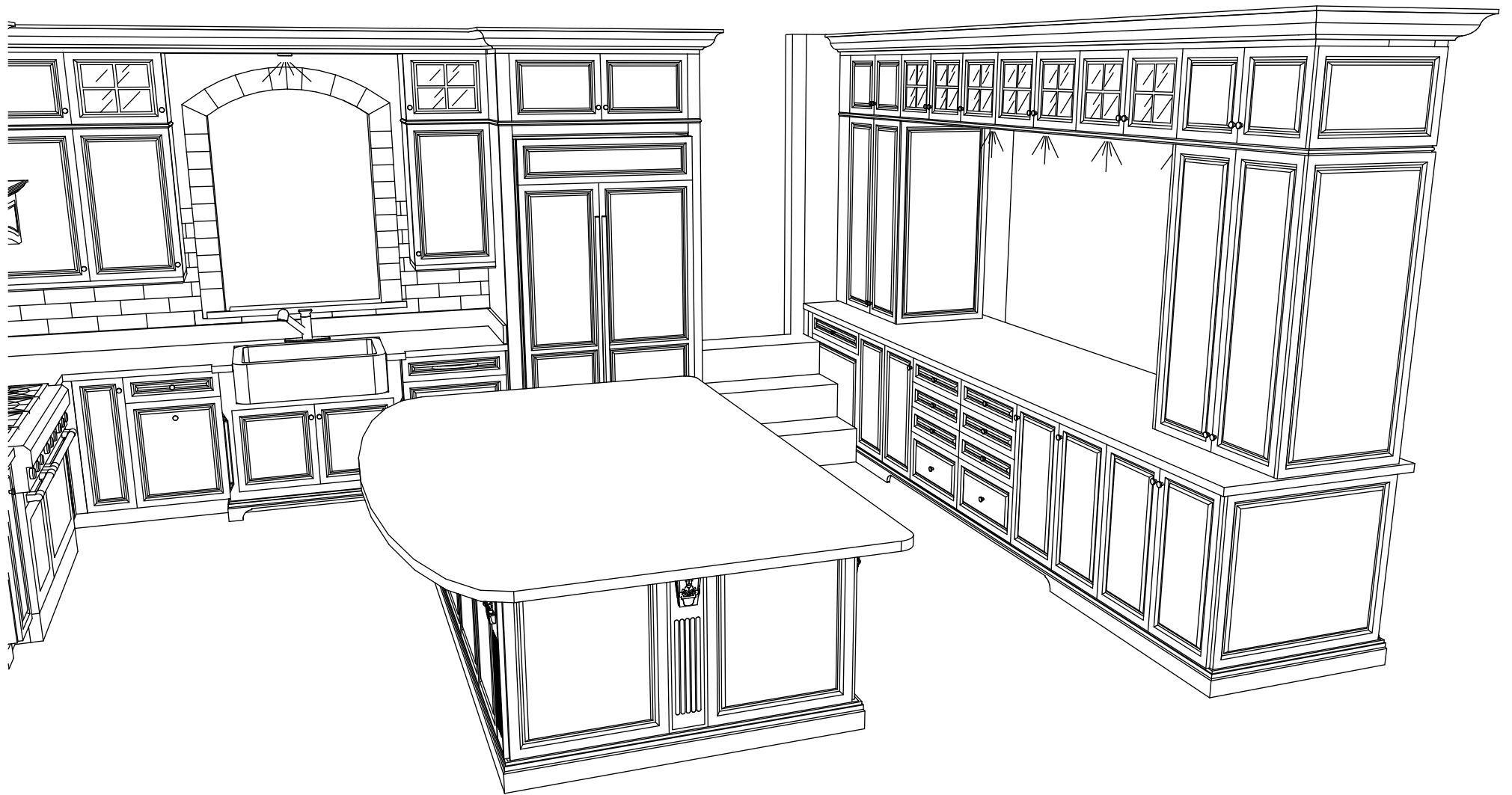
DESIGNS BY JONATHAN
DRAWINGS ON DEMAND

PRIVATE RESIDENCE
KITCHEN

NOTE: THIS DRAWING IS FOR DESIGN PURPOSES ONLY. VERIFY ALL DEVICES IN FIELD BEFORE INSTALLATION. THIS DRAWING IS NOT NECESSARILY TO SCALE. THE DESIGN, CONCEPTS, SPECIFICATIONS AND DOCUMENTS HEREIN ARE THE PROPERTY OF DBJ AND ARE FOR GRAPHICAL REPRESENTATION ONLY. VARIATIONS IN WOOD, COLOR, SHAPE, STYLE, AND APPLIANCES WILL VARY. NO PART THEREOF SHALL BE COPIED OR OTHERWISE DISCLOSED TO, OR USED BY OTHERS WITHOUT THE WRITTEN CONSENT OF FINE DBJ UNTIL SUCH TIME AS CONTRACT BUSINESS DOCUMENTS HAVE BEEN COMPLETED BETWEEN DBJ PRODUCTS AND CUSTOMER.

1	05/21/2014	ORIGINAL	SIGN
2	05/28/2014	REVS	
3	06/09/2014	CURRENT	

PERSP



PERSPECTIVE 
scale: nts

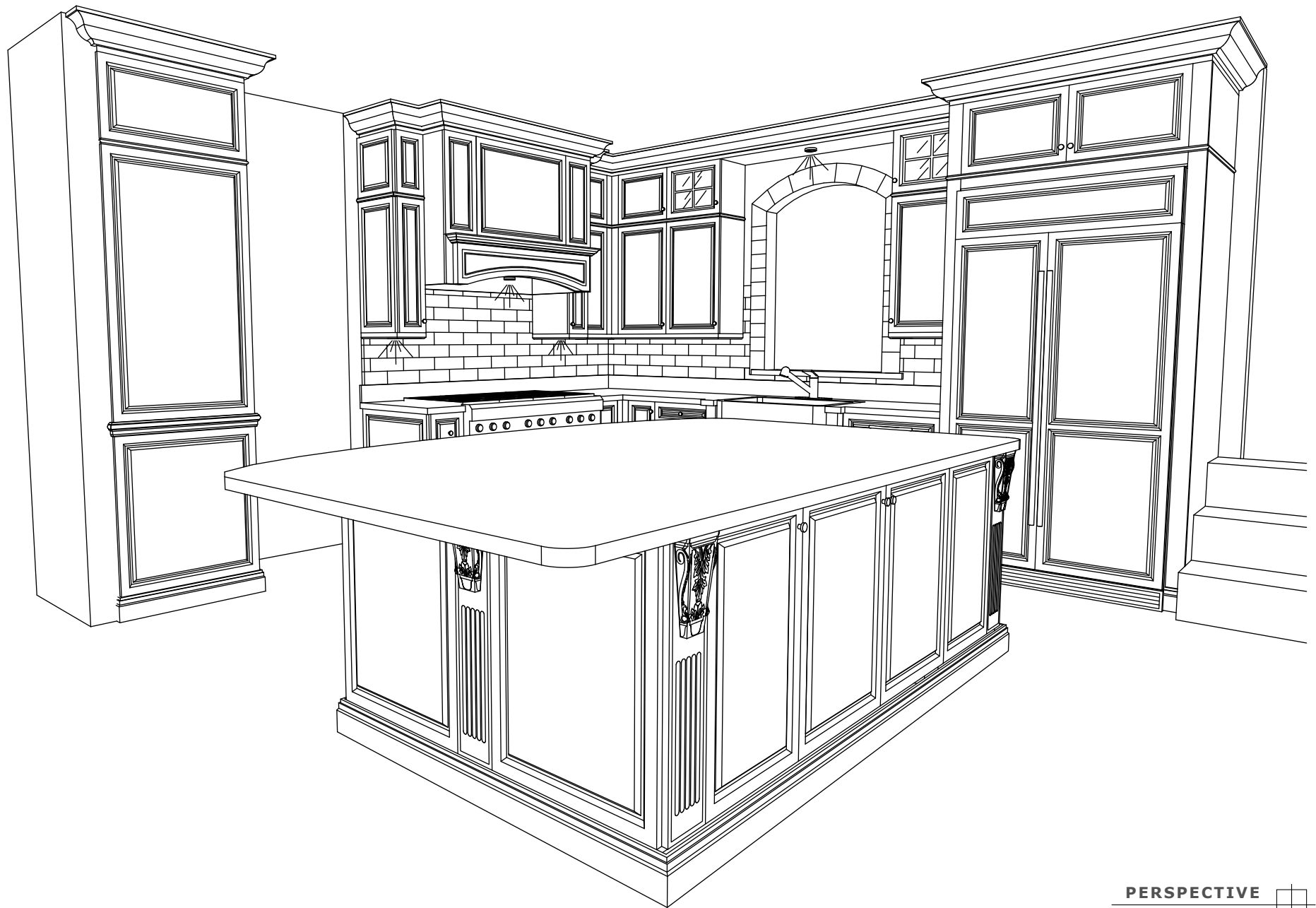
DESIGNS BY JONATHAN
 DRAWINGS ON DEMAND

PRIVATE RESIDENCE
 KITCHEN

NOTE: THIS DRAWING IS FOR DESIGN PURPOSES ONLY. VERIFY ALL DEVICES IN FIELD BEFORE INSTALLATION. THIS DRAWING IS NOT NECESSARILY TO SCALE. THE DESIGN, CONCEPTS, SPECIFICATIONS AND DOCUMENTS HEREIN ARE THE PROPERTY OF DBJ AND ARE FOR GRAPHICAL REPRESENTATION ONLY. VARIATIONS IN WOOD, COLOR, SHAPE, STYLE, AND APPLIANCES WILL VARY. NO PART THEREOF SHALL BE COPIED OR OTHERWISE DISCLOSED TO, OR USED BY OTHERS WITHOUT THE WRITTEN CONSENT OF FINE DBJ UNTIL SUCH TIME AS CONTRACT BUSINESS DOCUMENTS HAVE BEEN COMPLETED BETWEEN DBJ PRODUCTS AND CUSTOMER.

1	05/21/2014	ORIGINAL	SIGN
2	05/28/2014	REVS	
3	06/09/2014	CURRENT	

PERSP



PERSPECTIVE 
scale: nts

DESIGNS BY JONATHAN
 DRAWINGS ON DEMAND

PRIVATE RESIDENCE
 KITCHEN

NOTE: THIS DRAWING IS FOR DESIGN PURPOSES ONLY. VERIFY ALL DEVICES IN FIELD BEFORE INSTALLATION. THIS DRAWING IS NOT NECESSARILY TO SCALE. THE DESIGN, CONCEPTS, SPECIFICATIONS AND DOCUMENTS HEREIN ARE THE PROPERTY OF DBJ AND ARE FOR GRAPHICAL REPRESENTATION ONLY. VARIATIONS IN WOOD, COLOR, SHAPE, STYLE, AND APPLIANCES WILL VARY. NO PART THEREOF SHALL BE COPIED OR OTHERWISE DISCLOSED TO, OR USED BY OTHERS WITHOUT THE WRITTEN CONSENT OF FINE DBJ UNTIL SUCH TIME AS CONTRACT BUSINESS DOCUMENTS HAVE BEEN COMPLETED BETWEEN DBJ PRODUCTS AND CUSTOMER.

1	05/21/2014	ORIGINAL	SIGN
2	05/28/2014	REVS	
3	06/09/2014	CURRENT	

PERSP



PERSPECTIVE 
scale: nts

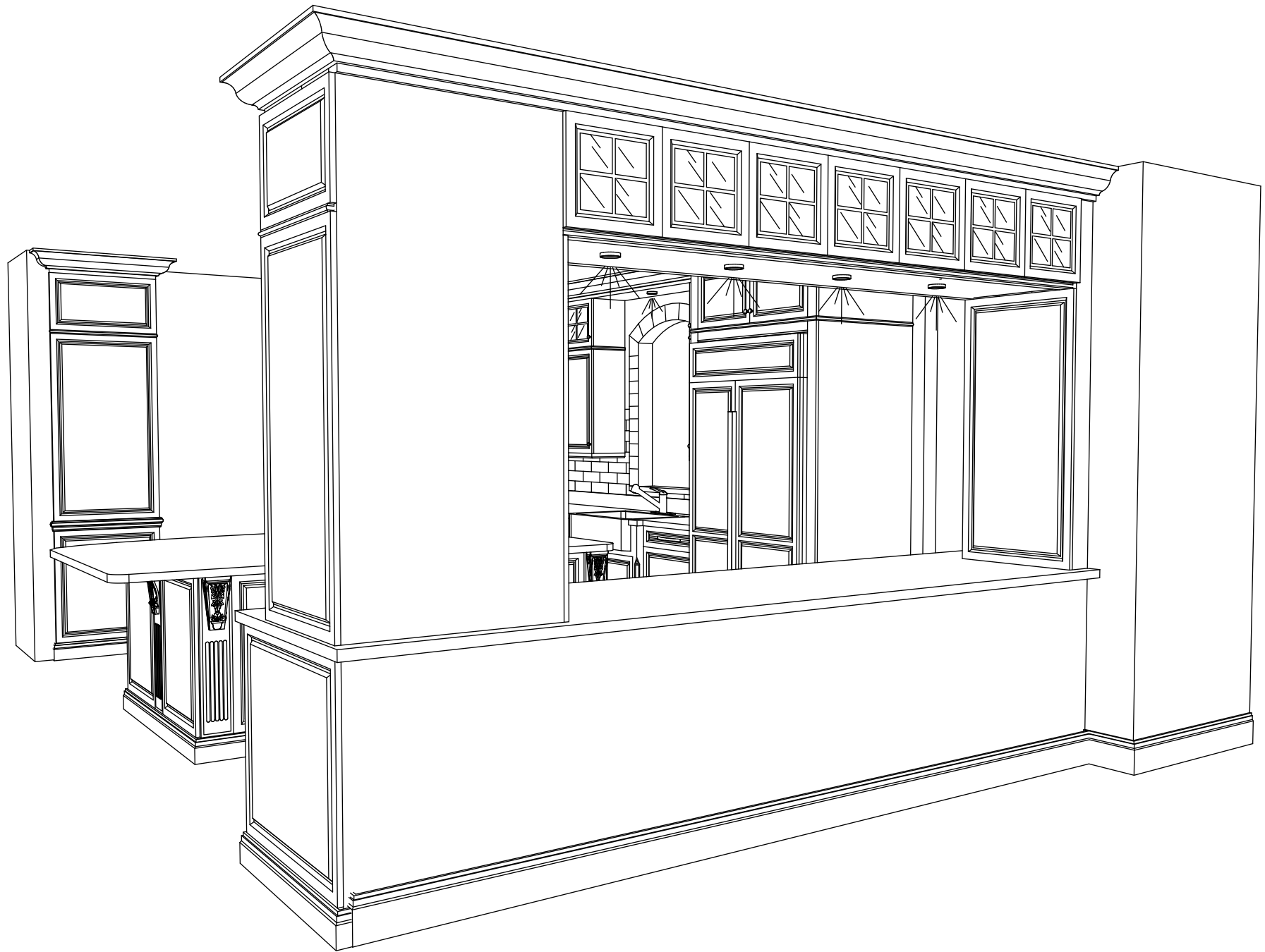
DESIGNS BY JONATHAN
 DRAWINGS ON DEMAND

PRIVATE RESIDENCE
 KITCHEN

NOTE: THIS DRAWING IS FOR DESIGN PURPOSES ONLY. VERIFY ALL DEVICES IN FIELD BEFORE INSTALLATION. THIS DRAWING IS NOT NECESSARILY TO SCALE. THE DESIGN, CONCEPTS, SPECIFICATIONS AND DOCUMENTS HEREIN ARE THE PROPERTY OF DBJ AND ARE FOR GRAPHICAL REPRESENTATION ONLY. VARIATIONS IN WOOD, COLOR, SHAPE, STYLE, AND APPLIANCES WILL VARY. NO PART THEREOF SHALL BE COPIED OR OTHERWISE DISCLOSED TO, OR USED BY OTHERS WITHOUT THE WRITTEN CONSENT OF FINE DBJ UNTIL SUCH TIME AS CONTRACT BUSINESS DOCUMENTS HAVE BEEN COMPLETED BETWEEN DBJ PRODUCTS AND CUSTOMER.

1	05/21/2014	ORIGINAL	SIGN
2	05/28/2014	REVS	
3	06/09/2014	CURRENT	

PERSP



PERSPECTIVE 
scale: nts

DESIGNS BY JONATHAN
 DRAWINGS ON DEMAND

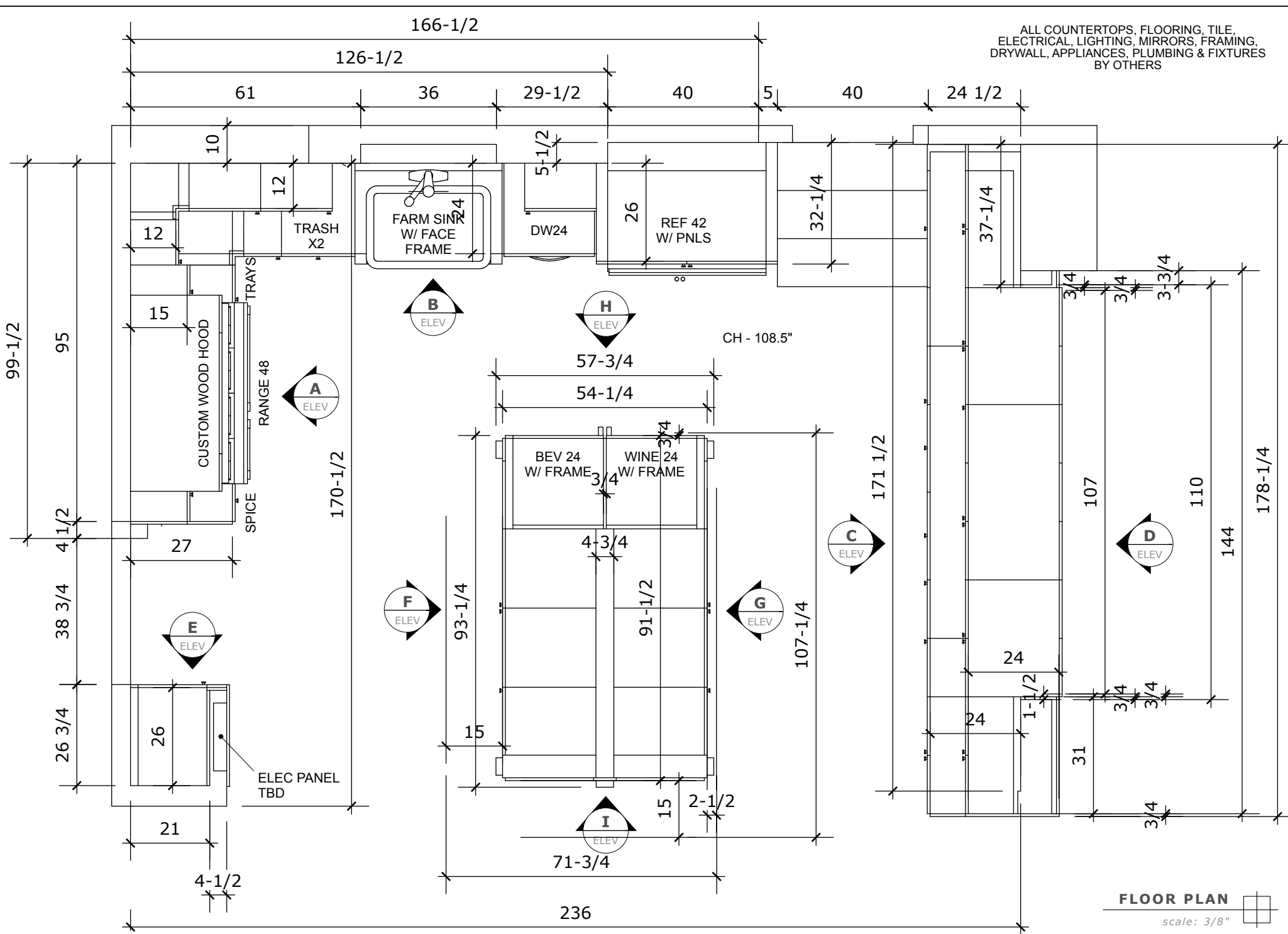
PRIVATE RESIDENCE
 KITCHEN

NOTE: THIS DRAWING IS FOR DESIGN PURPOSES ONLY. VERIFY ALL DEVICES IN FIELD BEFORE INSTALLATION. THIS DRAWING IS NOT NECESSARILY TO SCALE. THE DESIGN, CONCEPTS, SPECIFICATIONS AND DOCUMENTS HEREIN ARE THE PROPERTY OF DBJ AND ARE FOR GRAPHICAL REPRESENTATION ONLY. VARIATIONS IN WOOD, COLOR, SHAPE, STYLE, AND APPLIANCES WILL VARY. NO PART THEREOF SHALL BE COPIED OR OTHERWISE DISCLOSED TO, OR USED BY OTHERS WITHOUT THE WRITTEN CONSENT OF FINE DBJ UNTIL SUCH TIME AS CONTRACT BUSINESS DOCUMENTS HAVE BEEN COMPLETED BETWEEN DBJ PRODUCTS AND CUSTOMER.

1	05/21/2014	ORIGINAL	SIGN
2	05/28/2014	REVS	
3	06/09/2014	CURRENT	

PERSP

ALL COUNTERTOPS, FLOORING, TILE,
ELECTRICAL, LIGHTING, MIRRORS, FRAMING,
DRYWALL, APPLIANCES, PLUMBING & FIXTURES
BY OTHERS



FLOOR PLAN
scale: 3/8"

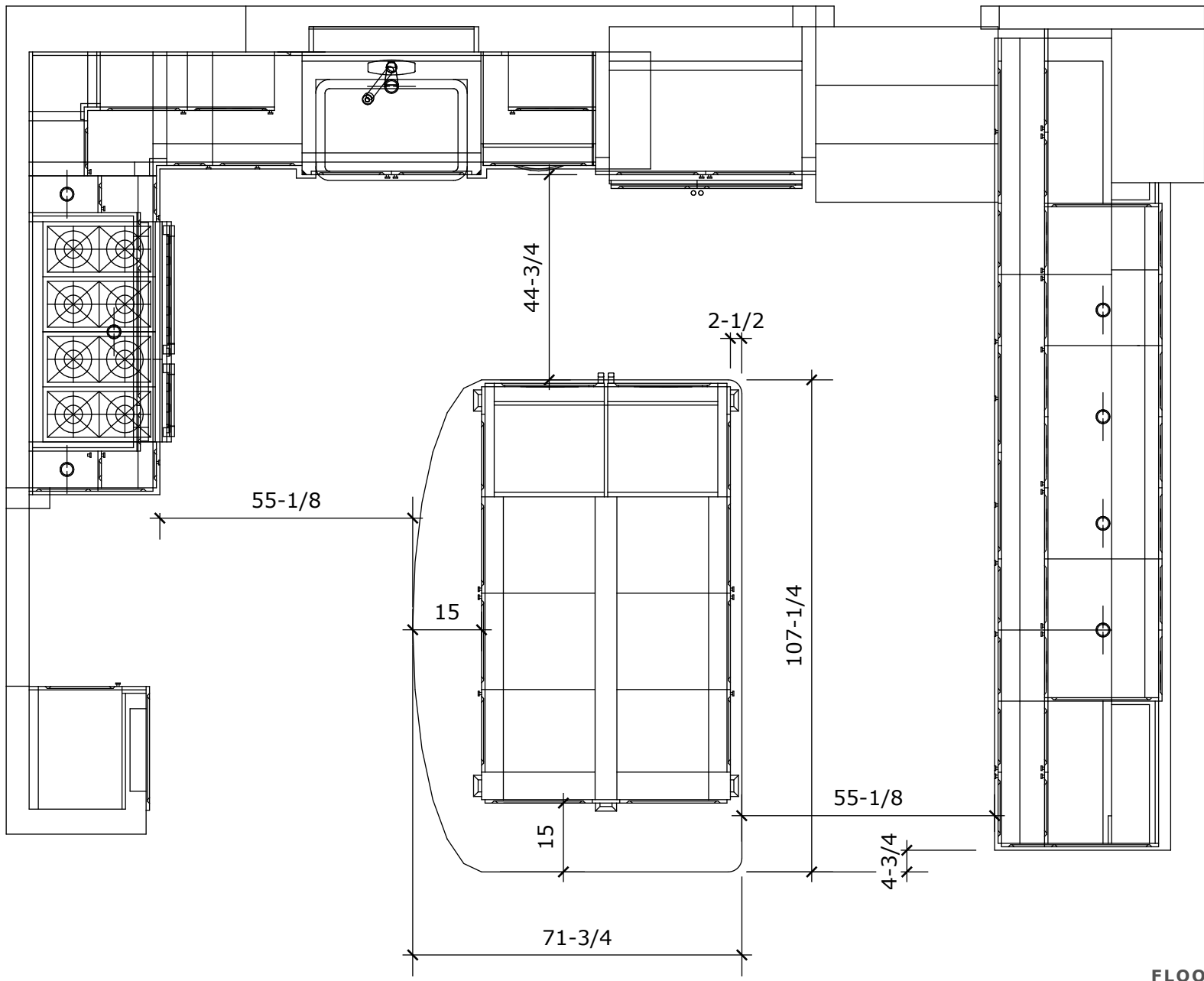
DESIGNS BY JONATHAN
DRAWINGS ON DEMAND

PRIVATE RESIDENCE
KITCHEN

NOTE: THIS DRAWING IS FOR DESIGN PURPOSES ONLY. VERIFY ALL DEVICES IN FIELD BEFORE INSTALLATION.
THIS DRAWING IS NOT NECESSARILY TO SCALE. THE DESIGN, CONCEPTS, SPECIFICATIONS AND DOCUMENTS HEREIN ARE THE
PROPERTY OF DBJ AND ARE FOR GRAPHICAL REPRESENTATION ONLY. VARIATIONS IN WOOD, COLOR, SHAPE, STYLE, AND
APPLIANCES WILL VARY. NO PART THEREOF SHALL BE COPIED OR OTHERWISE DISCLOSED TO, OR USED BY OTHERS WITHOUT
THE WRITTEN CONSENT OF FINE DBJ UNTIL SUCH TIME AS CONTRACT BUSINESS DOCUMENTS HAVE BEEN COMPLETED BETWEEN
DBJ PRODUCTS AND CUSTOMER.

1	05/21/2014	ORIGINAL	SIGN
2	05/28/2014	REVS	
3	06/09/2014	CURRENT	

FLOOR A



FLOOR PLAN 
scale: 3/8"

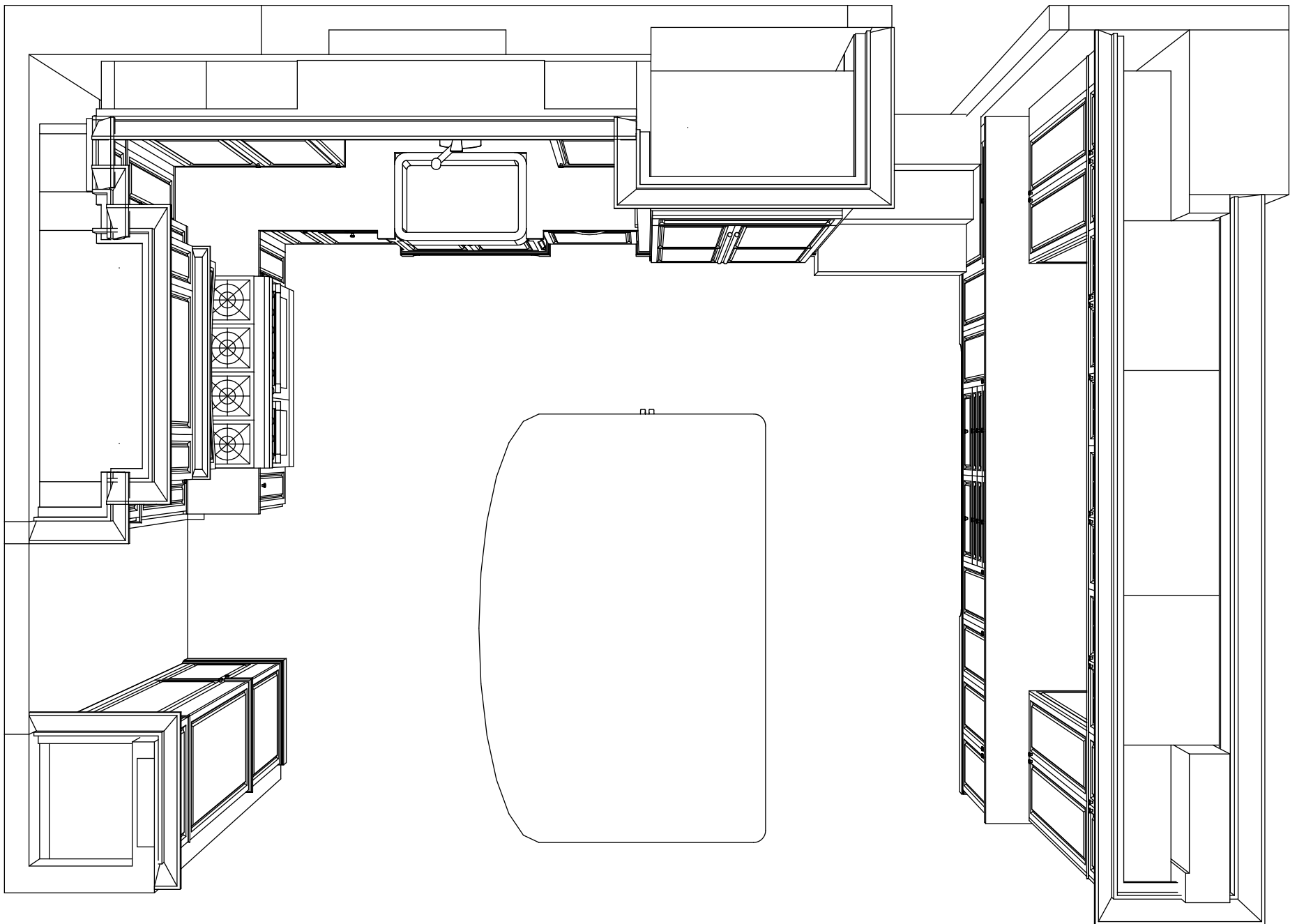
DESIGNS BY JONATHAN
DRAWINGS ON DEMAND

PRIVATE RESIDENCE
KITCHEN

NOTE: THIS DRAWING IS FOR DESIGN PURPOSES ONLY. VERIFY ALL DEVICES IN FIELD BEFORE INSTALLATION. THIS DRAWING IS NOT NECESSARILY TO SCALE. THE DESIGN, CONCEPTS, SPECIFICATIONS AND DOCUMENTS HEREIN ARE THE PROPERTY OF DBJ AND ARE FOR GRAPHICAL REPRESENTATION ONLY. VARIATIONS IN WOOD, COLOR, SHAPE, STYLE, AND APPLIANCES WILL VARY. NO PART THEREOF SHALL BE COPIED OR OTHERWISE DISCLOSED TO, OR USED BY OTHERS WITHOUT THE WRITTEN CONSENT OF FINE DBJ UNTIL SUCH TIME AS CONTRACT BUSINESS DOCUMENTS HAVE BEEN COMPLETED BETWEEN DBJ PRODUCTS AND CUSTOMER.

1	05/21/2014	ORIGINAL	SIGN
2	05/28/2014	REVS	
3	06/09/2014	CURRENT	

FLOOR X



FLOOR PLAN

scale: nts



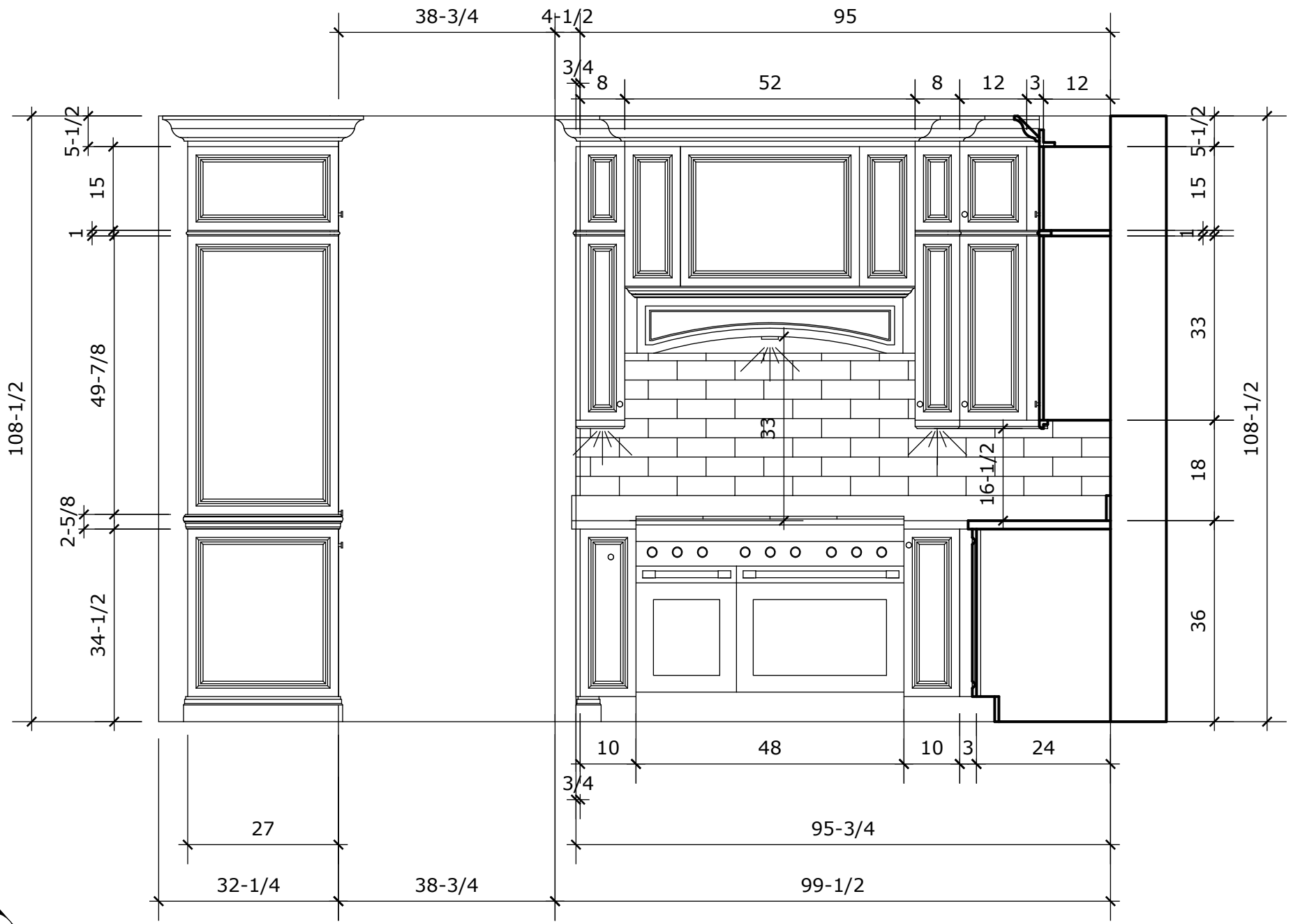
DESIGNS BY JONATHAN
DRAWINGS ON DEMAND

PRIVATE RESIDENCE
KITCHEN

NOTE: THIS DRAWING IS FOR DESIGN PURPOSES ONLY. VERIFY ALL DEVICES IN FIELD BEFORE INSTALLATION. THIS DRAWING IS NOT NECESSARILY TO SCALE. THE DESIGN, CONCEPTS, SPECIFICATIONS AND DOCUMENTS HEREIN ARE THE PROPERTY OF DBJ AND ARE FOR GRAPHICAL REPRESENTATION ONLY. VARIATIONS IN WOOD, COLOR, SHAPE, STYLE, AND APPLIANCES WILL VARY. NO PART THEREOF SHALL BE COPIED OR OTHERWISE DISCLOSED TO, OR USED BY OTHERS WITHOUT THE WRITTEN CONSENT OF FINE DBJ UNTIL SUCH TIME AS CONTRACT BUSINESS DOCUMENTS HAVE BEEN COMPLETED BETWEEN DBJ PRODUCTS AND CUSTOMER.

1	05/21/2014	ORIGINAL	SIGN
2	05/28/2014	REVS	
3	06/09/2014	CURRENT	

FLOOR B



ELEVATION
 scale: 1/2"

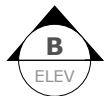
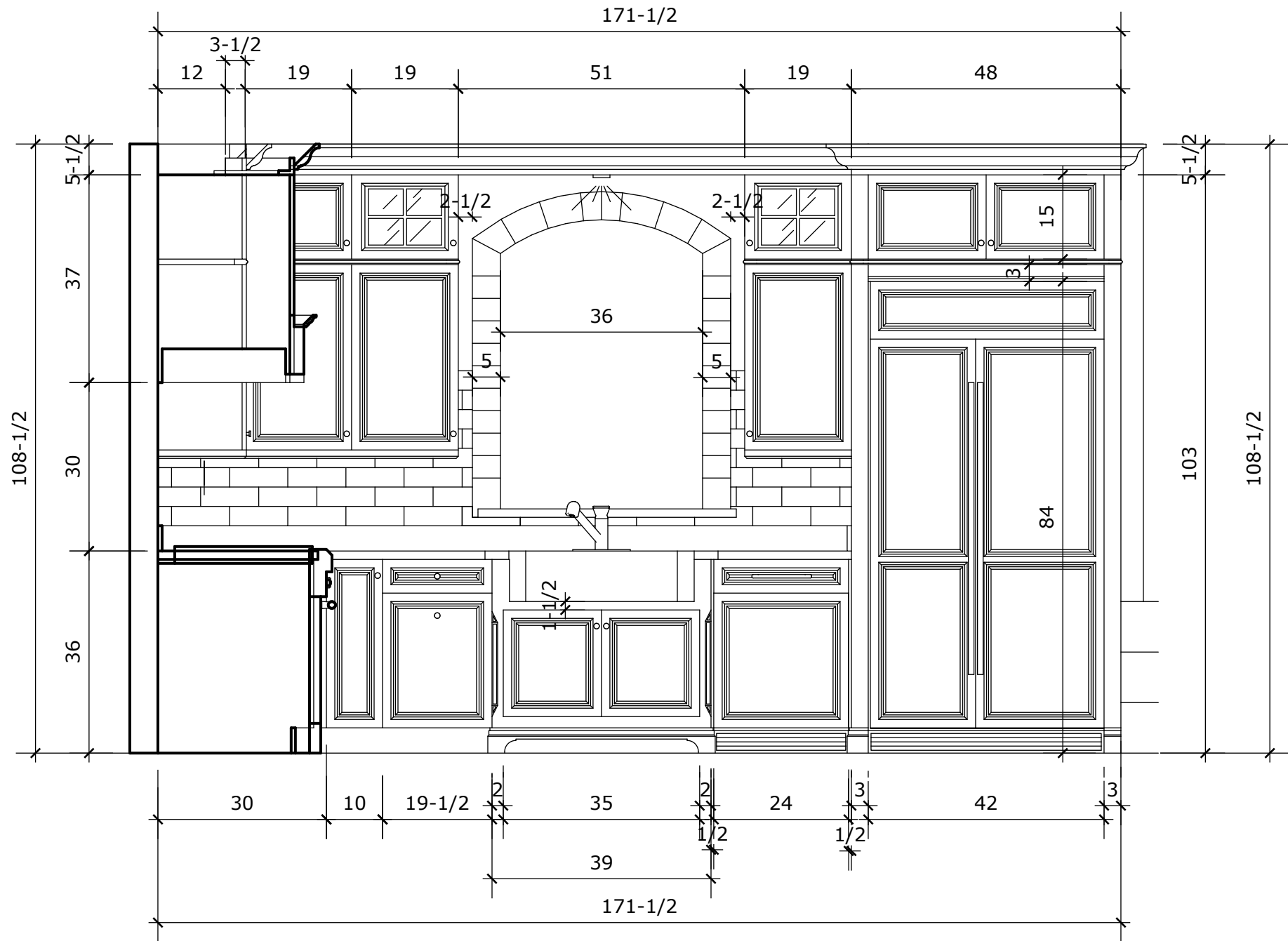
DESIGNS BY JONATHAN
DRAWINGS ON DEMAND

PRIVATE RESIDENCE
KITCHEN

NOTE: THIS DRAWING IS FOR DESIGN PURPOSES ONLY. VERIFY ALL DEVICES IN FIELD BEFORE INSTALLATION. THIS DRAWING IS NOT NECESSARILY TO SCALE. THE DESIGN, CONCEPTS, SPECIFICATIONS AND DOCUMENTS HEREIN ARE THE PROPERTY OF DBJ AND ARE FOR GRAPHICAL REPRESENTATION ONLY. VARIATIONS IN WOOD, COLOR, SHAPE, STYLE, AND APPLIANCES WILL VARY. NO PART THEREOF SHALL BE COPIED OR OTHERWISE DISCLOSED TO, OR USED BY OTHERS WITHOUT THE WRITTEN CONSENT OF FINE DBJ UNTIL SUCH TIME AS CONTRACT BUSINESS DOCUMENTS HAVE BEEN COMPLETED BETWEEN DBJ PRODUCTS AND CUSTOMER.

1	05/21/2014	ORIGINAL	SIGN
2	05/28/2014	REVS	
3	06/09/2014	CURRENT	

ELEV A



ELEVATION 
scale: 1/2"

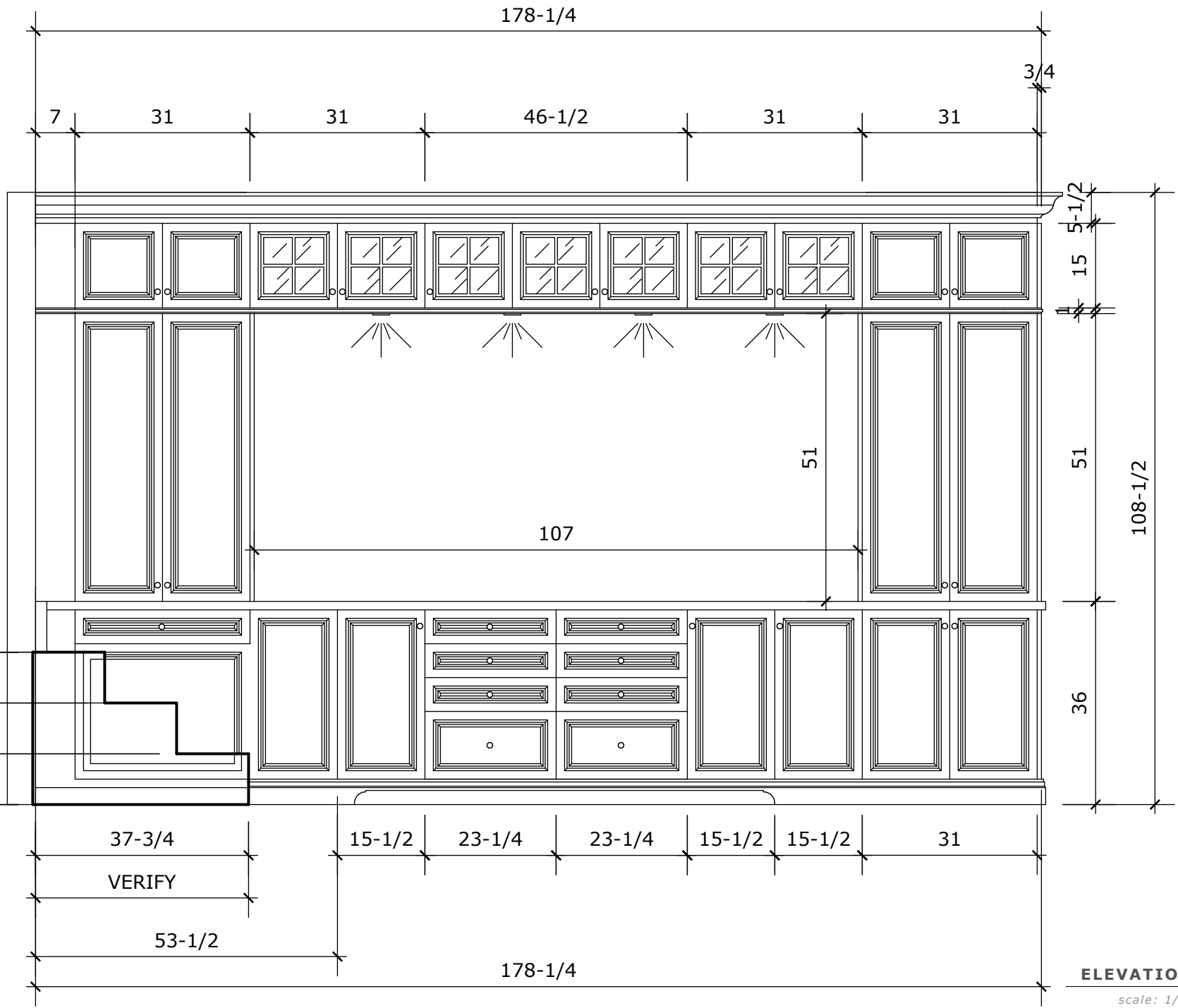
DESIGNS BY JONATHAN
DRAWINGS ON DEMAND

PRIVATE RESIDENCE
KITCHEN

NOTE: THIS DRAWING IS FOR DESIGN PURPOSES ONLY. VERIFY ALL DEVICES IN FIELD BEFORE INSTALLATION. THIS DRAWING IS NOT NECESSARILY TO SCALE. THE DESIGN, CONCEPTS, SPECIFICATIONS AND DOCUMENTS HEREIN ARE THE PROPERTY OF DBJ AND ARE FOR GRAPHICAL REPRESENTATION ONLY. VARIATIONS IN WOOD, COLOR, SHAPE, STYLE, AND APPLIANCES WILL VARY. NO PART THEREOF SHALL BE COPIED OR OTHERWISE DISCLOSED TO, OR USED BY OTHERS WITHOUT THE WRITTEN CONSENT OF FINE DBJ UNTIL SUCH TIME AS CONTRACT BUSINESS DOCUMENTS HAVE BEEN COMPLETED BETWEEN DBJ PRODUCTS AND CUSTOMER.

1	05/21/2014	ORIGINAL	SIGN
2	05/28/2014	REVS	
3	06/09/2014	CURRENT	

ELEV B



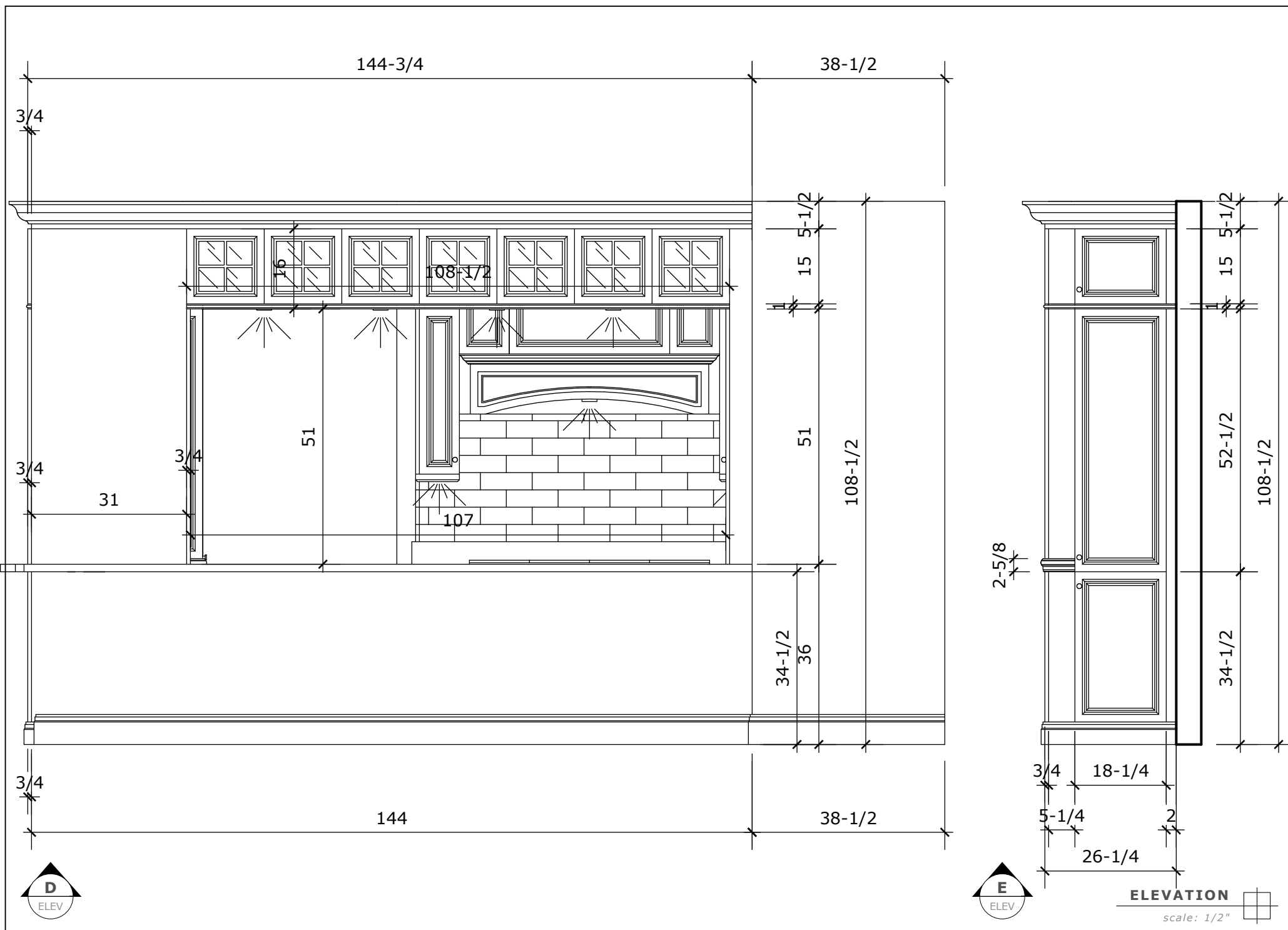
DESIGNS BY JONATHAN
DRAWINGS ON DEMAND

PRIVATE RESIDENCE
KITCHEN

NOTE: THIS DRAWING IS FOR DESIGN PURPOSES ONLY. VERIFY ALL DEVICES IN FIELD BEFORE INSTALLATION. THIS DRAWING IS NOT NECESSARILY TO SCALE. THE DESIGN, CONCEPTS, SPECIFICATIONS AND DOCUMENTS HEREIN ARE THE PROPERTY OF DBJ AND ARE FOR GRAPHICAL REPRESENTATION ONLY. VARIATIONS IN WOOD, COLOR, SHAPE, STYLE, AND APPLIANCES WILL VARY. NO PART THEREOF SHALL BE COPIED OR OTHERWISE DISCLOSED TO, OR USED BY OTHERS WITHOUT THE WRITTEN CONSENT OF FINE DBJ UNTIL SUCH TIME AS CONTRACT BUSINESS DOCUMENTS HAVE BEEN COMPLETED BETWEEN DBJ PRODUCTS AND CUSTOMER.

1	05/21/2014	ORIGINAL	SIGN
2	05/28/2014	REVS	
3	06/09/2014	CURRENT	

ELEV C



D
ELEV

E
ELEV

ELEVATION
scale: 1/2"

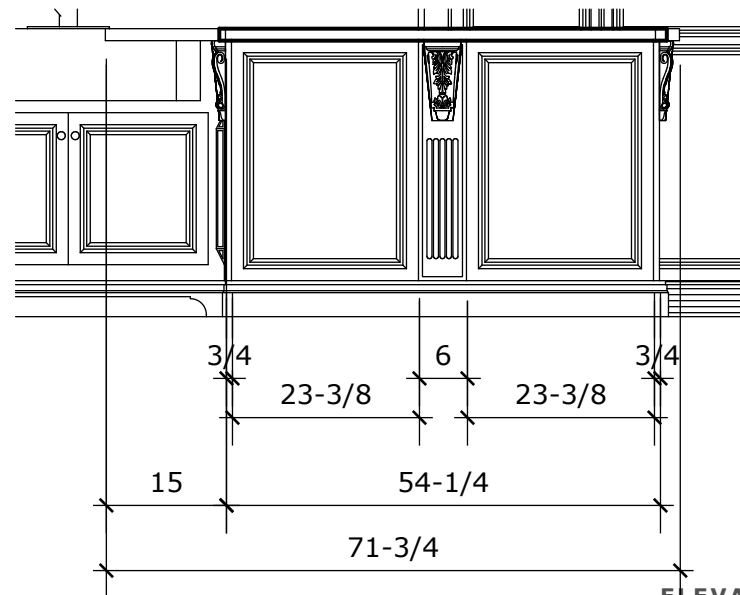
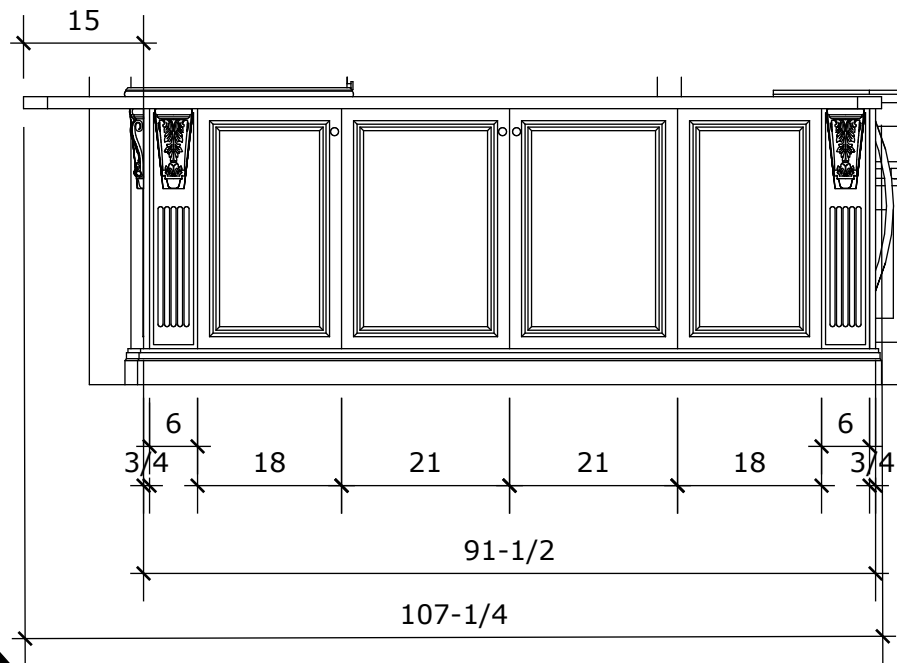
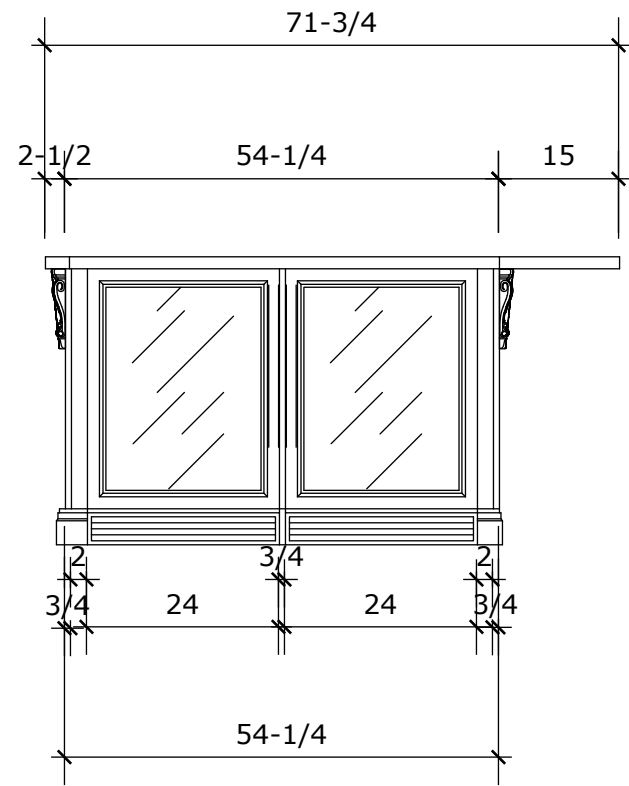
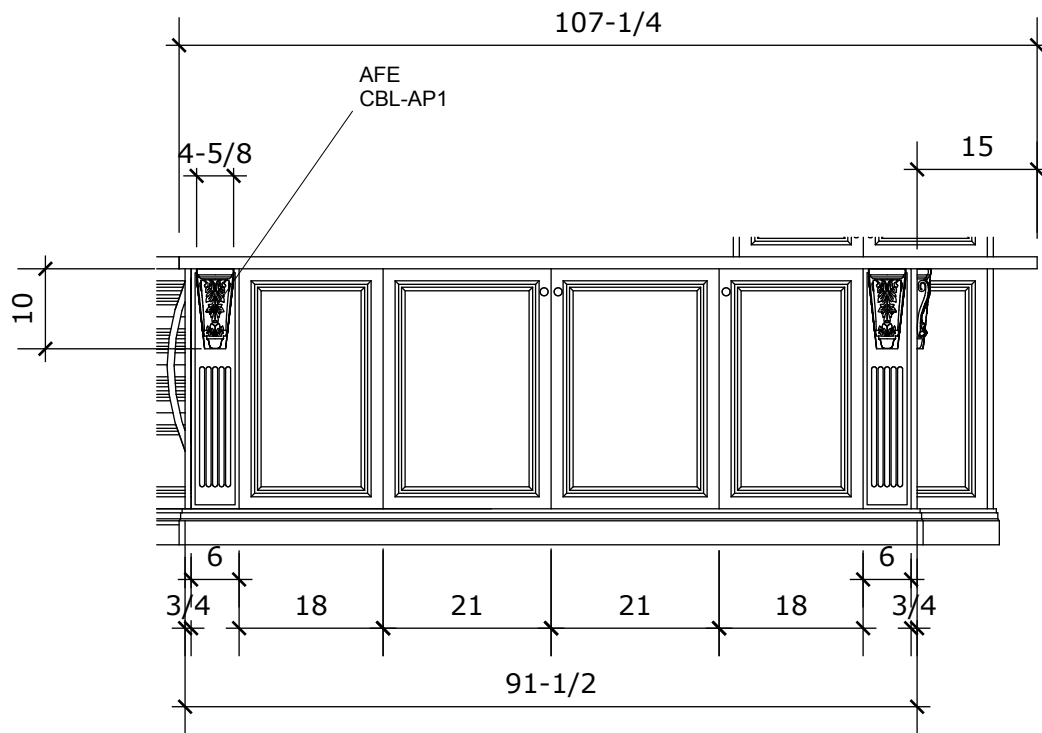
DESIGNS BY JONATHAN
DRAWINGS ON DEMAND

PRIVATE RESIDENCE
KITCHEN

NOTE: THIS DRAWING IS FOR DESIGN PURPOSES ONLY. VERIFY ALL DEVICES IN FIELD BEFORE INSTALLATION. THIS DRAWING IS NOT NECESSARILY TO SCALE. THE DESIGN, CONCEPTS, SPECIFICATIONS AND DOCUMENTS HEREIN ARE THE PROPERTY OF DBJ AND ARE FOR GRAPHICAL REPRESENTATION ONLY. VARIATIONS IN WOOD, COLOR, SHAPE, STYLE, AND APPLIANCES WILL VARY. NO PART THEREOF SHALL BE COPIED OR OTHERWISE DISCLOSED TO, OR USED BY OTHERS WITHOUT THE WRITTEN CONSENT OF FINE DBJ UNTIL SUCH TIME AS CONTRACT BUSINESS DOCUMENTS HAVE BEEN COMPLETED BETWEEN DBJ PRODUCTS AND CUSTOMER.

1	05/21/2014	ORIGINAL	SIGN
2	05/28/2014	REVS	
3	06/09/2014	CURRENT	

ELEV D & E



ELEVATION
 scale: 1/2"

DESIGNS BY JONATHAN
DRAWINGS ON DEMAND

PRIVATE RESIDENCE
KITCHEN

NOTE: THIS DRAWING IS FOR DESIGN PURPOSES ONLY. VERIFY ALL DEVICES IN FIELD BEFORE INSTALLATION. THIS DRAWING IS NOT NECESSARILY TO SCALE. THE DESIGN, CONCEPTS, SPECIFICATIONS AND DOCUMENTS HEREIN ARE THE PROPERTY OF DBJ AND ARE FOR GRAPHICAL REPRESENTATION ONLY. VARIATIONS IN WOOD, COLOR, SHAPE, STYLE, AND APPLIANCES WILL VARY. NO PART THEREOF SHALL BE COPIED OR OTHERWISE DISCLOSED TO, OR USED BY OTHERS WITHOUT THE WRITTEN CONSENT OF FINE DBJ UNTIL SUCH TIME AS CONTRACT BUSINESS DOCUMENTS HAVE BEEN COMPLETED BETWEEN DBJ PRODUCTS AND CUSTOMER.

1	05/21/2014	ORIGINAL	SIGN
2	05/28/2014	REVS	
3	06/09/2014	CURRENT	

ISLAND