

CREDITS:

DESIGN - JONATHAN  
 DRAWINGS - JONATHAN  
 BUILDER / REMODELER - KGT REMODELING NAPLES FL  
 INTERIOR DESIGN - KGT REMODELING  
 PRODUCT / SUPPLIER - KGT REMODELING



1	11/29/2011	CURRENT
2		
3		



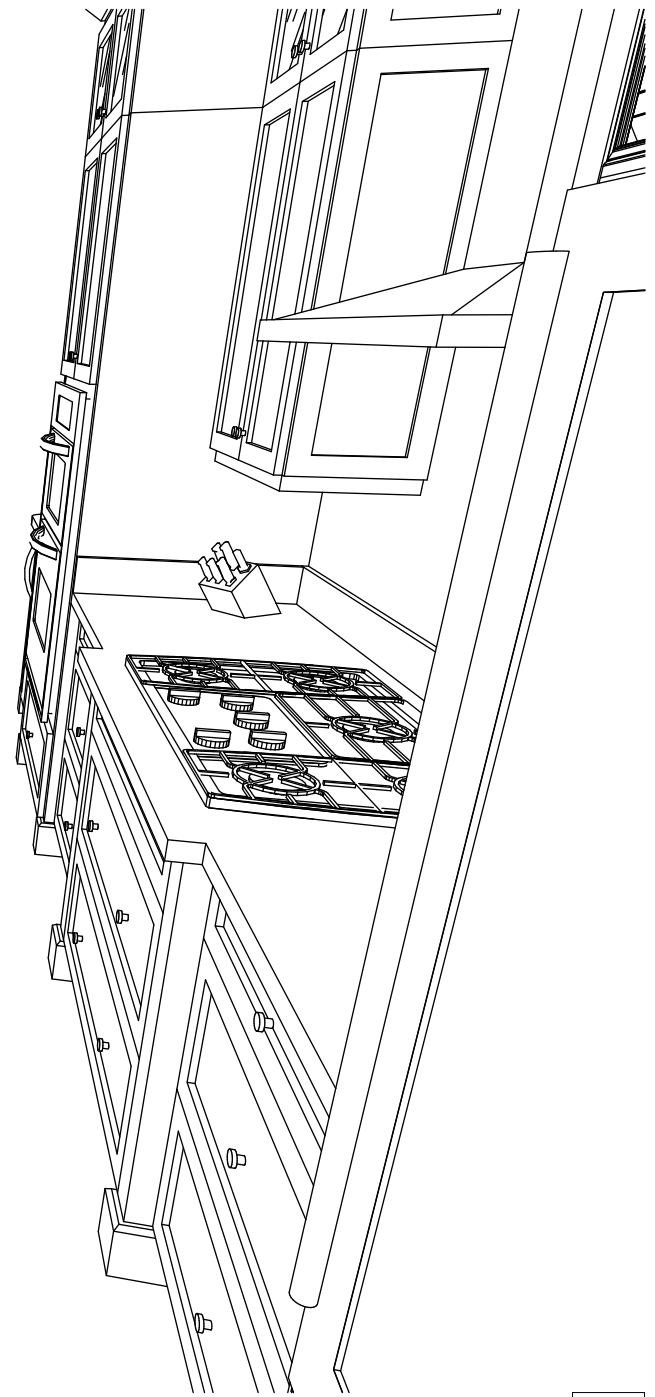
**PERSPECTIVE VIEW** ::

scale:nts



**PERSPECTIVE VIEW**

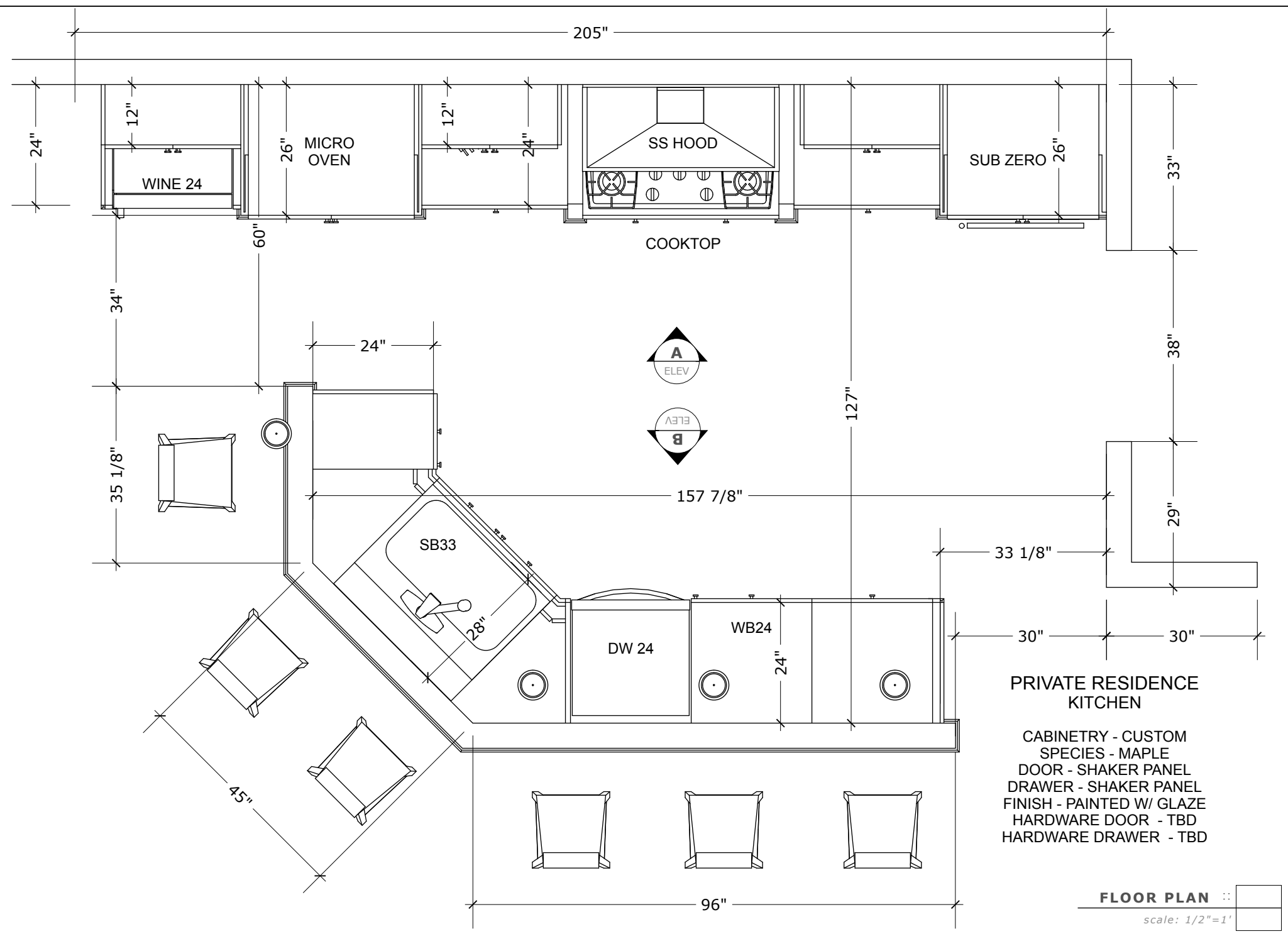
scale:nts



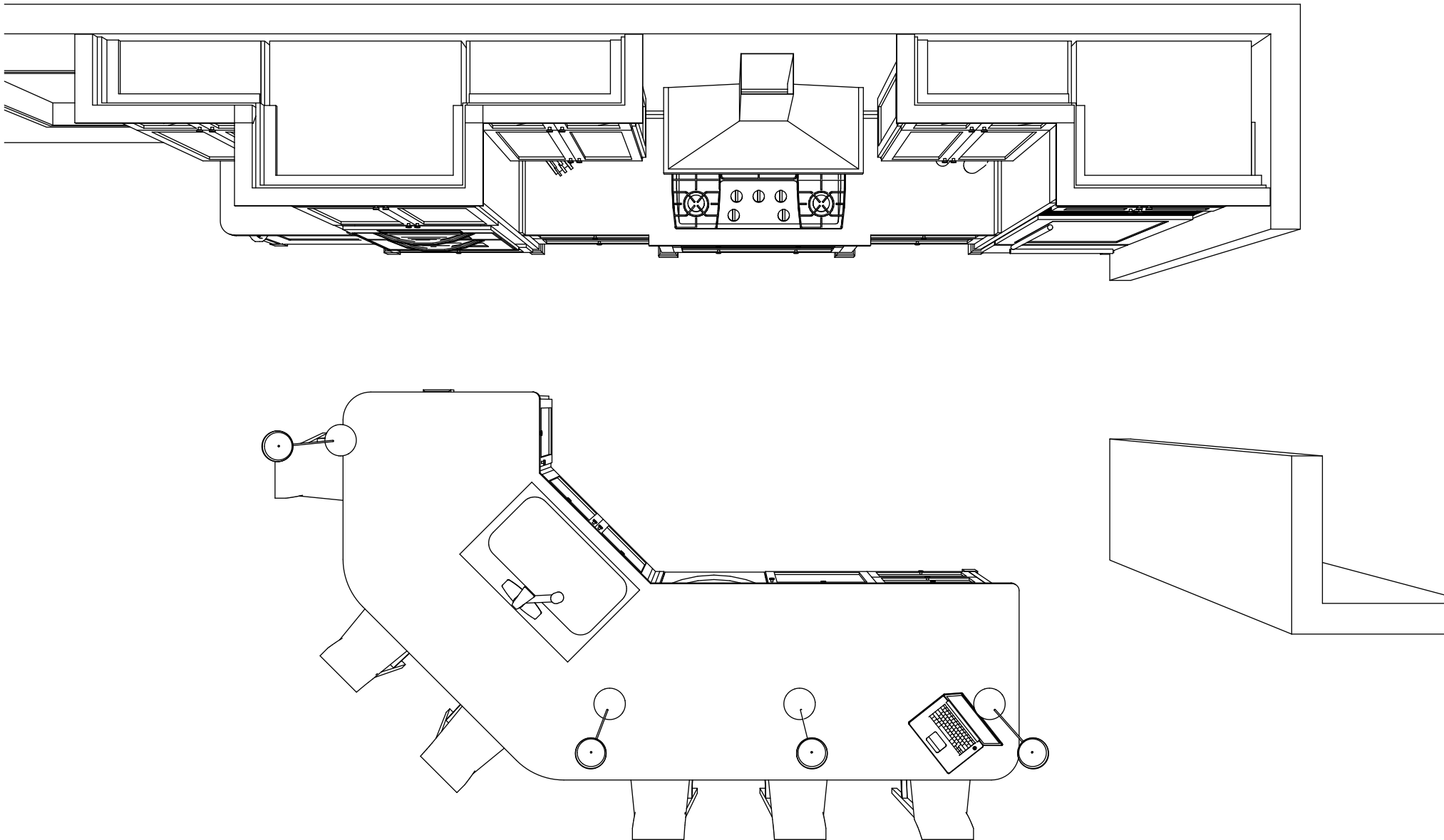
**PERSPECTIVE VIEW**

scale: nts

1	11/29/2011	CURRENT
2		
3		



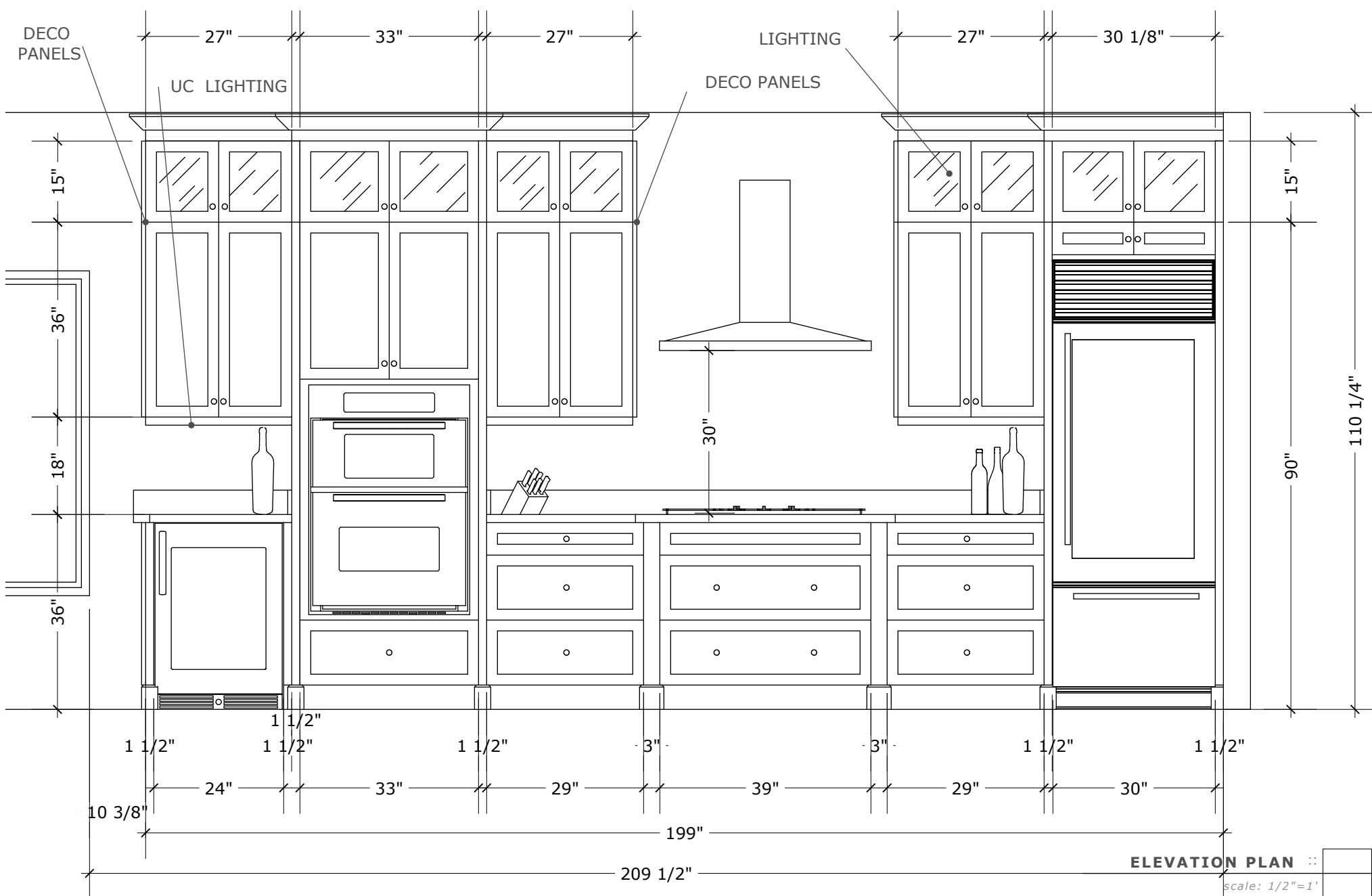
1	11/29/2011	CURRENT
2		
3		



**FLOOR PLAN** □

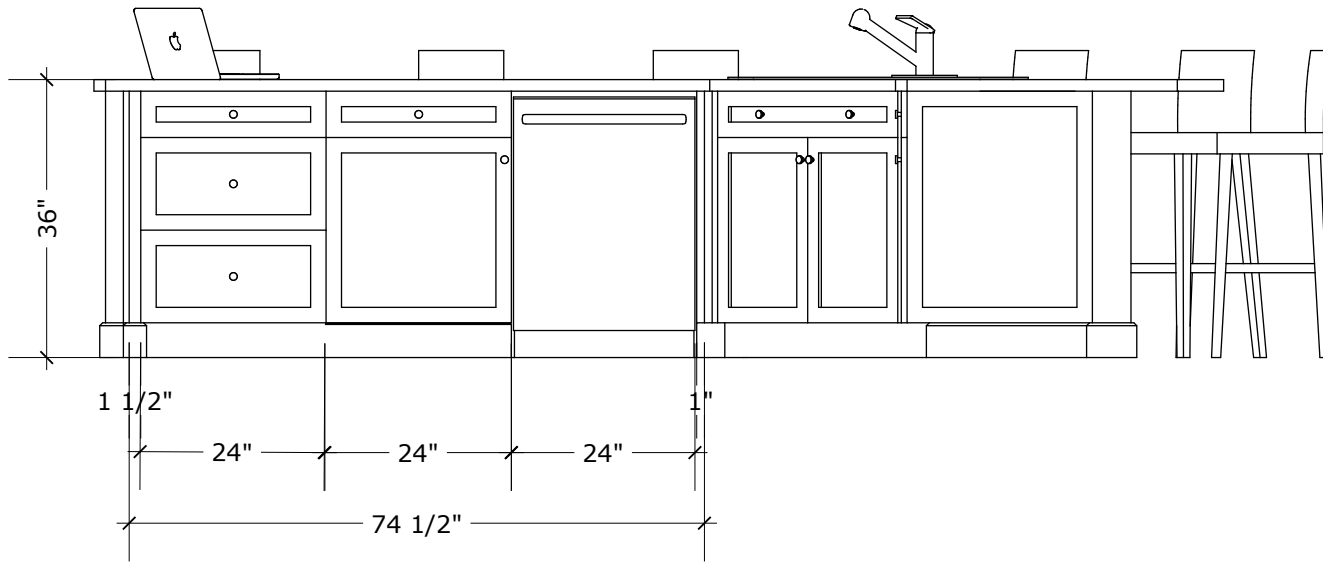
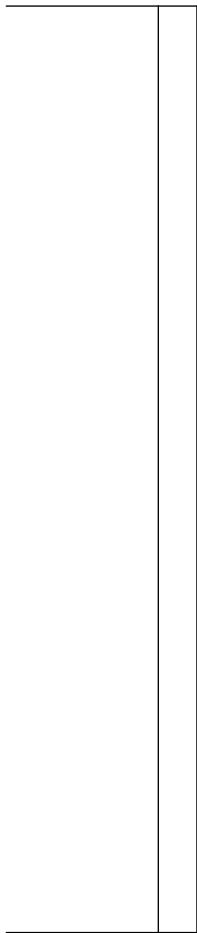
scale: 1/2"=1'

1	11/29/2011	CURRENT
2		
3		



1	11/29/2011	CURRENT
2		
3		





**ELEVATION PLAN**

scale: 1/2"=1'

1	11/29/2011	CURRENT
2		
3		