

CREDITS:

DESIGN - JONATHAN
 DRAWINGS - JONATHAN
 BUILDER / REMODELER - NA
 INTERIOR DESIGN - CLIENT
 PRODUCT / SUPPLIER - CUSTOM BY FINE LINE WOOD PRODUCTS NAPLES FL

PERSPECTIVE 
 scale: nts

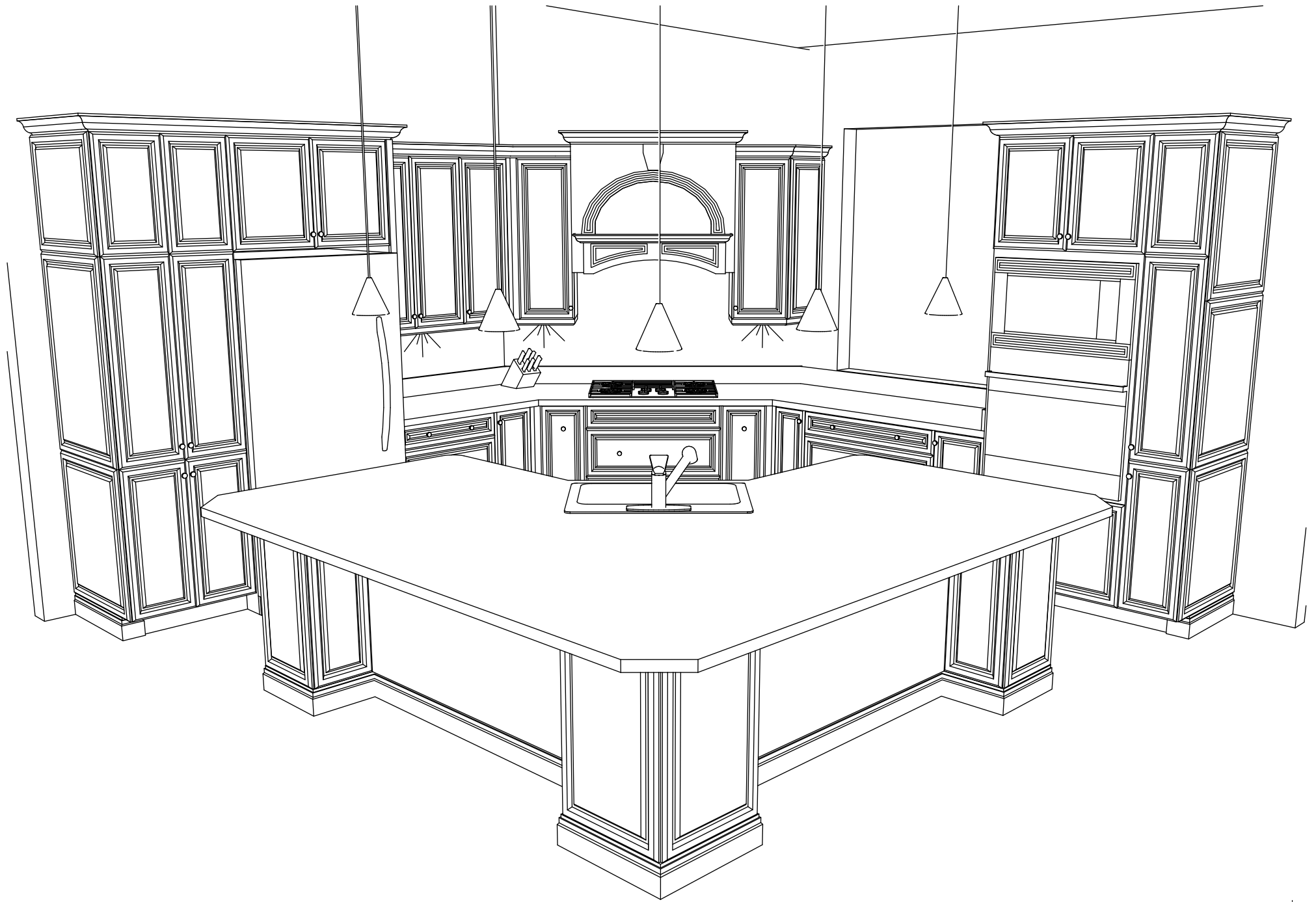
DESIGNS BY JONATHAN
 NAPLES FL

PRIVATE RESIDENCE
 KITCHEN

NOTE: THIS DRAWING IS FOR DESIGN PURPOSES ONLY. VERIFY ALL DEVICES IN FIELD BEFORE INSTALLATION. THIS DRAWING IS NOT NECESSARILY TO SCALE. THE DESIGN, CONCEPTS, SPECIFICATIONS AND DOCUMENTS HEREIN ARE THE PROPERTY OF CARMO AND ARE FOR GRAPHICAL REPRESENTATION ONLY. VARIATIONS IN WOOD, COLOR, SHAPE, STYLE, AND APPLIANCES WILL VARY. NO PART THEREOF SHALL BE COPIED OR OTHERWISE DISCLOSED TO, OR USED BY OTHERS WITHOUT THE WRITTEN CONSENT OF CARMO UNTIL SUCH TIME AS CONTRACT BUSINESS DOCUMENTS HAVE BEEN COMPLETED BETWEEN CARMO AND CUSTOMER.

1	01/20/2013	ORIGINAL	SIGN
2	01/31/2013	REVS	
3	02/04/2013	FINAL	

SKETCH



PERSPECTIVE 

scale: nts

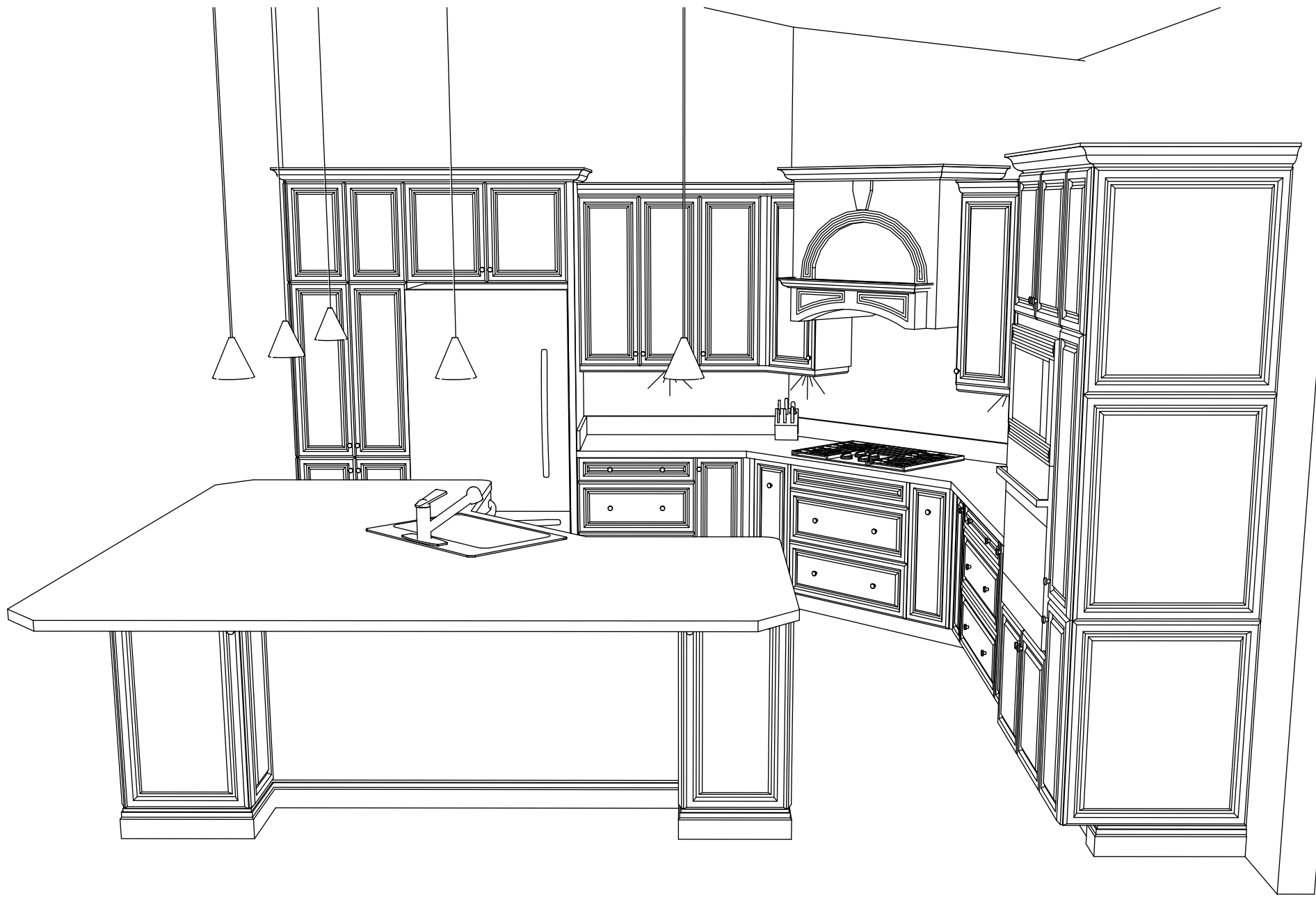
DESIGNS BY JONATHAN
NAPLES FL

PRIVATE RESIDENCE
KITCHEN

NOTE: THIS DRAWING IS FOR DESIGN PURPOSES ONLY. VERIFY ALL DEVICES IN FIELD BEFORE INSTALLATION. THIS DRAWING IS NOT NECESSARILY TO SCALE. THE DESIGN, CONCEPTS, SPECIFICATIONS AND DOCUMENTS HEREIN ARE THE PROPERTY OF CARMO AND ARE FOR GRAPHICAL REPRESENTATION ONLY. VARIATIONS IN WOOD, COLOR, SHAPE, STYLE, AND APPLIANCES WILL VARY. NO PART THEREOF SHALL BE COPIED OR OTHERWISE DISCLOSED TO, OR USED BY OTHERS WITHOUT THE WRITTEN CONSENT OF CARMO UNTIL SUCH TIME AS CONTRACT BUSINESS DOCUMENTS HAVE BEEN COMPLETED BETWEEN CARMO AND CUSTOMER.

1	01/20/2013	ORIGINAL	SIGN
2	01/31/2013	REVS	
3	02/04/2013	FINAL	

PERSP



PERSPECTIVE 
scale: nts

DESIGNS BY JONATHAN
 NAPLES FL

PRIVATE RESIDENCE
 KITCHEN

NOTE: THIS DRAWING IS FOR DESIGN PURPOSES ONLY. VERIFY ALL DEVICES IN FIELD BEFORE INSTALLATION. THIS DRAWING IS NOT NECESSARILY TO SCALE. THE DESIGN, CONCEPTS, SPECIFICATIONS AND DOCUMENTS HEREIN ARE THE PROPERTY OF CARMO AND ARE FOR GRAPHICAL REPRESENTATION ONLY. VARIATIONS IN WOOD, COLOR, SHAPE, STYLE, AND APPLIANCES WILL VARY. NO PART THEREOF SHALL BE COPIED OR OTHERWISE DISCLOSED TO, OR USED BY OTHERS WITHOUT THE WRITTEN CONSENT OF CARMO UNTIL SUCH TIME AS CONTRACT BUSINESS DOCUMENTS HAVE BEEN COMPLETED BETWEEN CARMO AND CUSTOMER.

1	01/20/2013	ORIGINAL	SIGN
2	01/31/2013	REVS	
3	02/04/2013	FINAL	

PERSP



PERSPECTIVE 
scale: nts

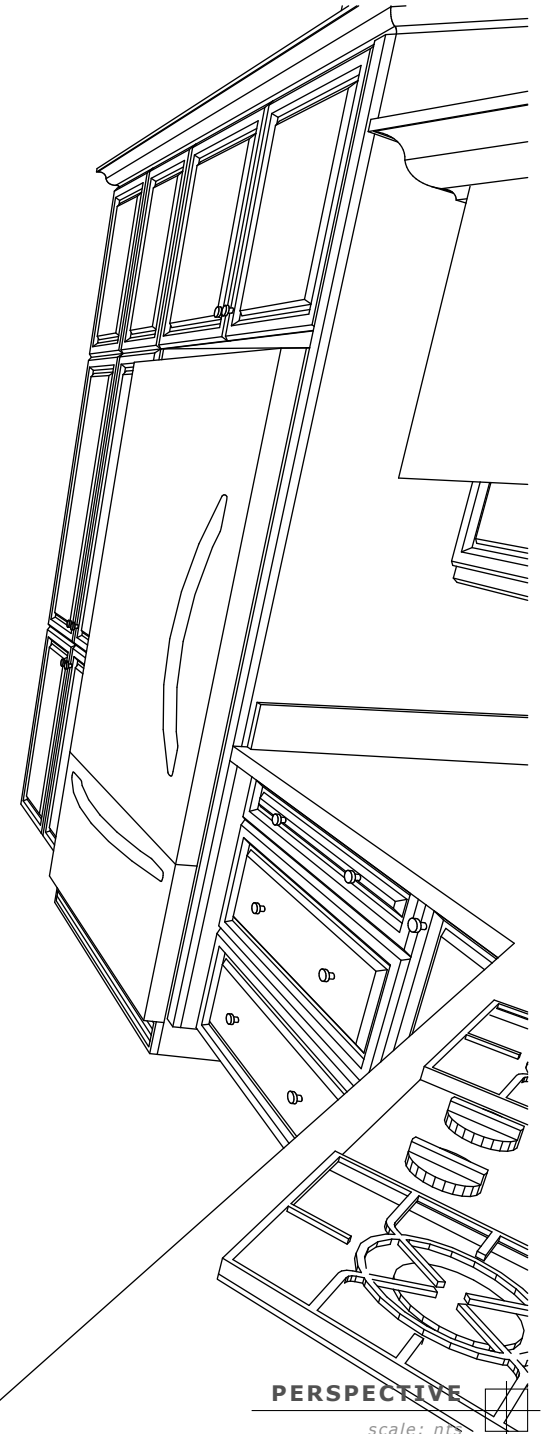
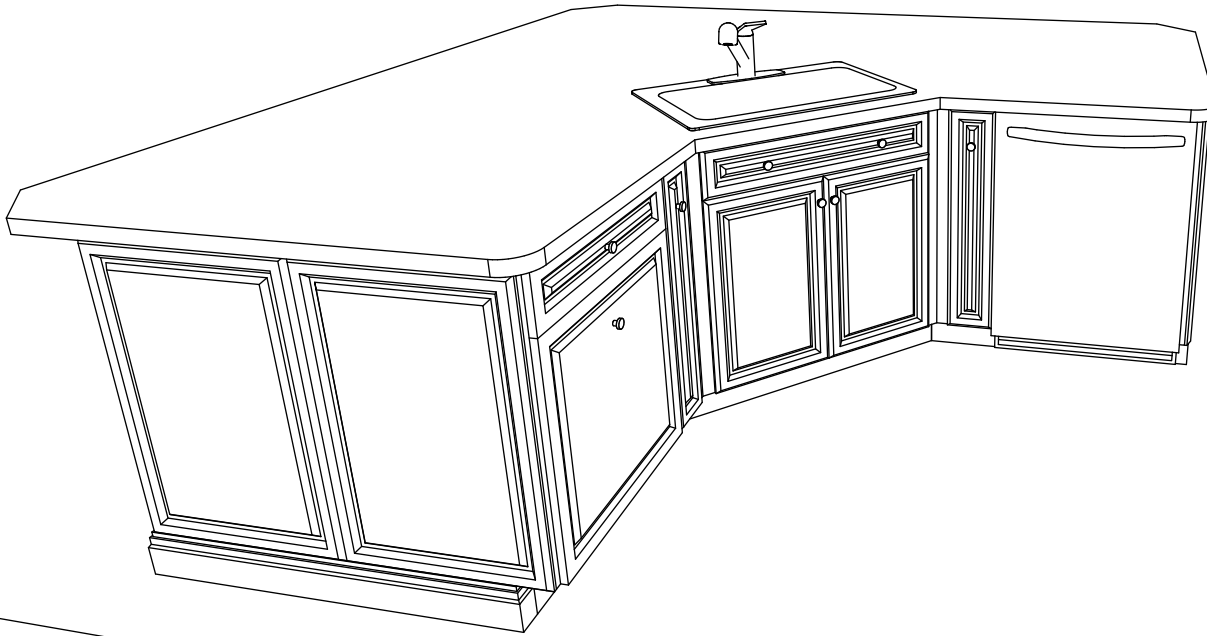
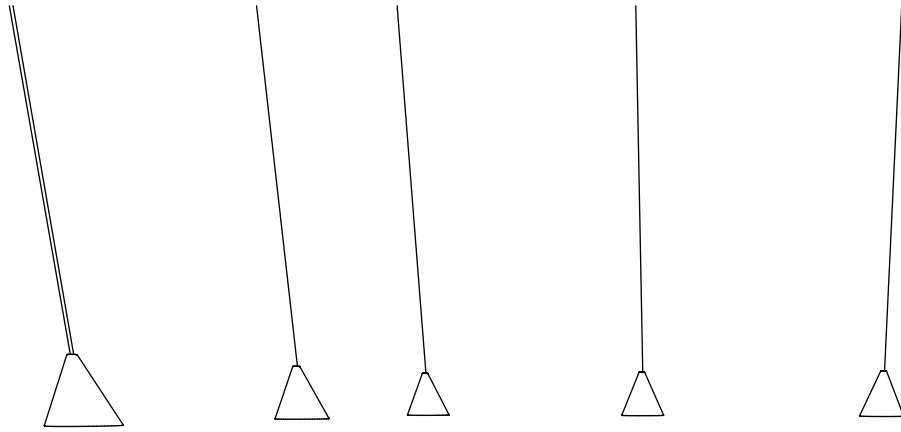
DESIGNS BY JONATHAN
 NAPLES FL

PRIVATE RESIDENCE
 KITCHEN

NOTE: THIS DRAWING IS FOR DESIGN PURPOSES ONLY. VERIFY ALL DEVICES IN FIELD BEFORE INSTALLATION. THIS DRAWING IS NOT NECESSARILY TO SCALE. THE DESIGN, CONCEPTS, SPECIFICATIONS AND DOCUMENTS HEREIN ARE THE PROPERTY OF CARMO AND ARE FOR GRAPHICAL REPRESENTATION ONLY. VARIATIONS IN WOOD, COLOR, SHAPE, STYLE, AND APPLIANCES WILL VARY. NO PART THEREOF SHALL BE COPIED OR OTHERWISE DISCLOSED TO, OR USED BY OTHERS WITHOUT THE WRITTEN CONSENT OF CARMO UNTIL SUCH TIME AS CONTRACT BUSINESS DOCUMENTS HAVE BEEN COMPLETED BETWEEN CARMO AND CUSTOMER.

1	01/20/2013	ORIGINAL	SIGN
2	01/31/2013	REVS	
3	02/04/2013	FINAL	

PERSP



PERSPECTIVE

scale: nts



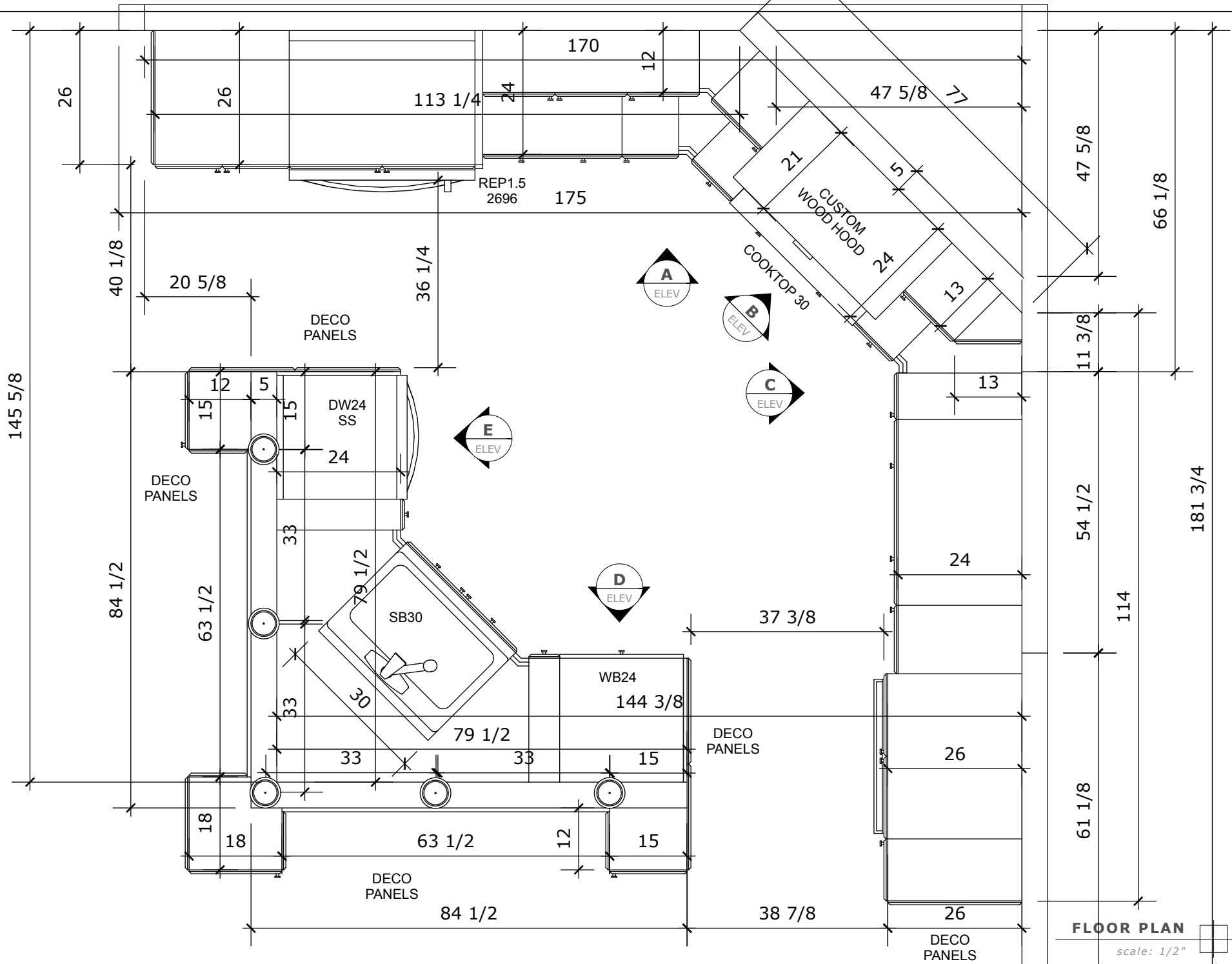
DESIGNS BY JONATHAN
NAPLES FL

PRIVATE RESIDENCE
KITCHEN

NOTE: THIS DRAWING IS FOR DESIGN PURPOSES ONLY. VERIFY ALL DEVICES IN FIELD BEFORE INSTALLATION.
THIS DRAWING IS NOT NECESSARILY TO SCALE. THE DESIGN, CONCEPTS, SPECIFICATIONS AND DOCUMENTS HEREIN ARE THE
PROPERTY OF CARMO AND ARE FOR GRAPHICAL REPRESENTATION ONLY. VARIATIONS IN WOOD, COLOR, SHAPE, STYLE, AND
APPLIANCES WILL VARY. NO PART THEREOF SHALL BE COPIED OR OTHERWISE DISCLOSED TO, OR USED BY OTHERS WITHOUT
THE WRITTEN CONSENT OF CARMO UNTIL SUCH TIME AS CONTRACT BUSINESS DOCUMENTS HAVE BEEN COMPLETED BETWEEN
CARMO AND CUSTOMER.

1	01/20/2013	ORIGINAL	SIGN
2	01/31/2013	REVS	
3	02/04/2013	FINAL	

PERSP



FLOOR PLAN
 scale: 1/2"

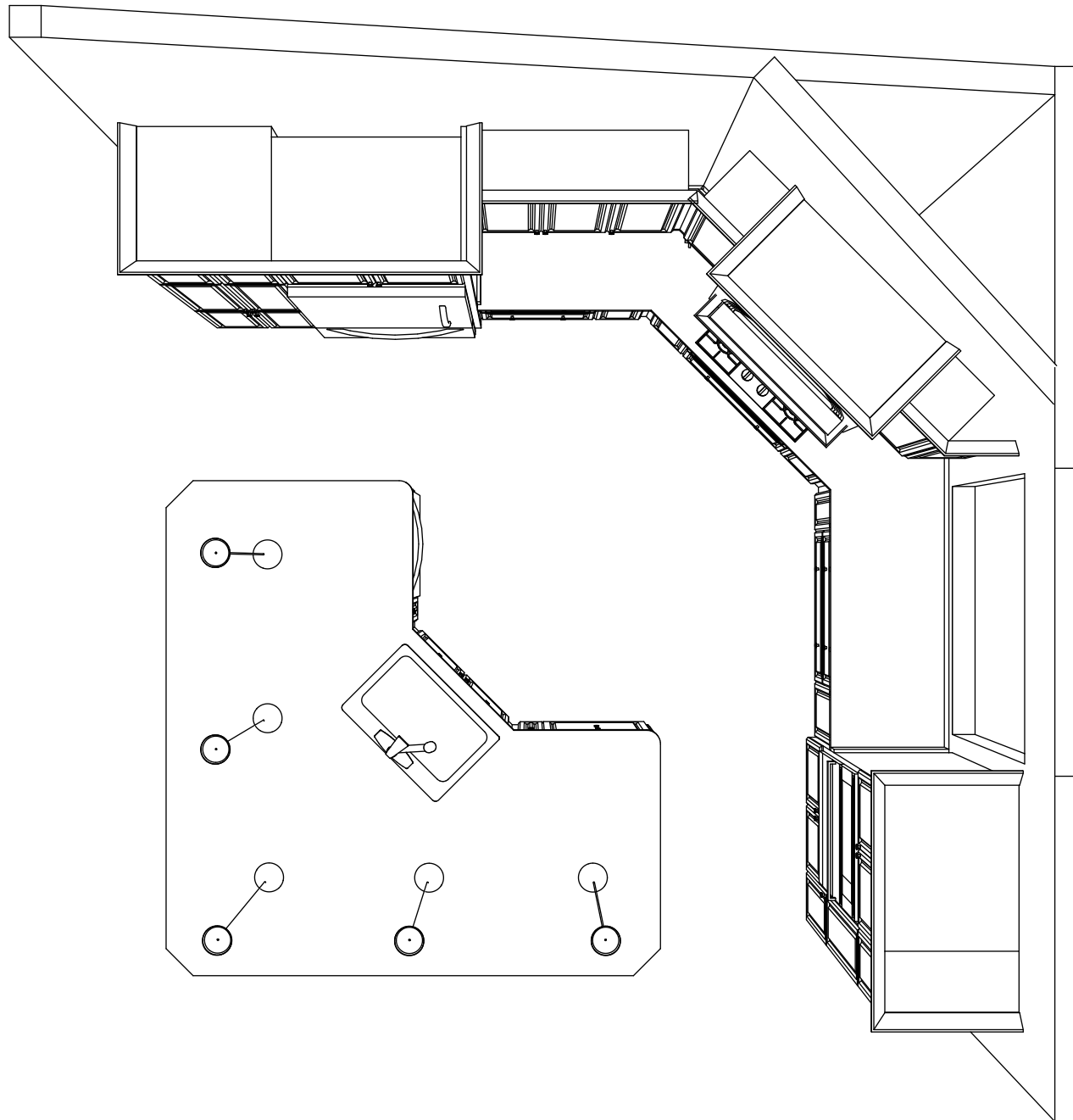
DESIGNS BY JONATHAN
 NAPLES FL

PRIVATE RESIDENCE
 KITCHEN

NOTE: THIS DRAWING IS FOR DESIGN PURPOSES ONLY. VERIFY ALL DEVICES IN FIELD BEFORE INSTALLATION. THIS DRAWING IS NOT NECESSARILY TO SCALE. THE DESIGN, CONCEPTS, SPECIFICATIONS AND DOCUMENTS HEREIN ARE THE PROPERTY OF CARMO AND ARE FOR GRAPHICAL REPRESENTATION ONLY. VARIATIONS IN WOOD, COLOR, SHAPE, STYLE, AND APPLIANCES WILL VARY. NO PART THEREOF SHALL BE COPIED OR OTHERWISE DISCLOSED TO, OR USED BY OTHERS WITHOUT THE WRITTEN CONSENT OF CARMO UNTIL SUCH TIME AS CONTRACT BUSINESS DOCUMENTS HAVE BEEN COMPLETED BETWEEN CARMO AND CUSTOMER.

1	01/20/2013	ORIGINAL	SIGN
2	01/31/2013	REVS	
3	02/04/2013	FINAL	

FLOOR A



FLOOR PLAN 
scale: nts

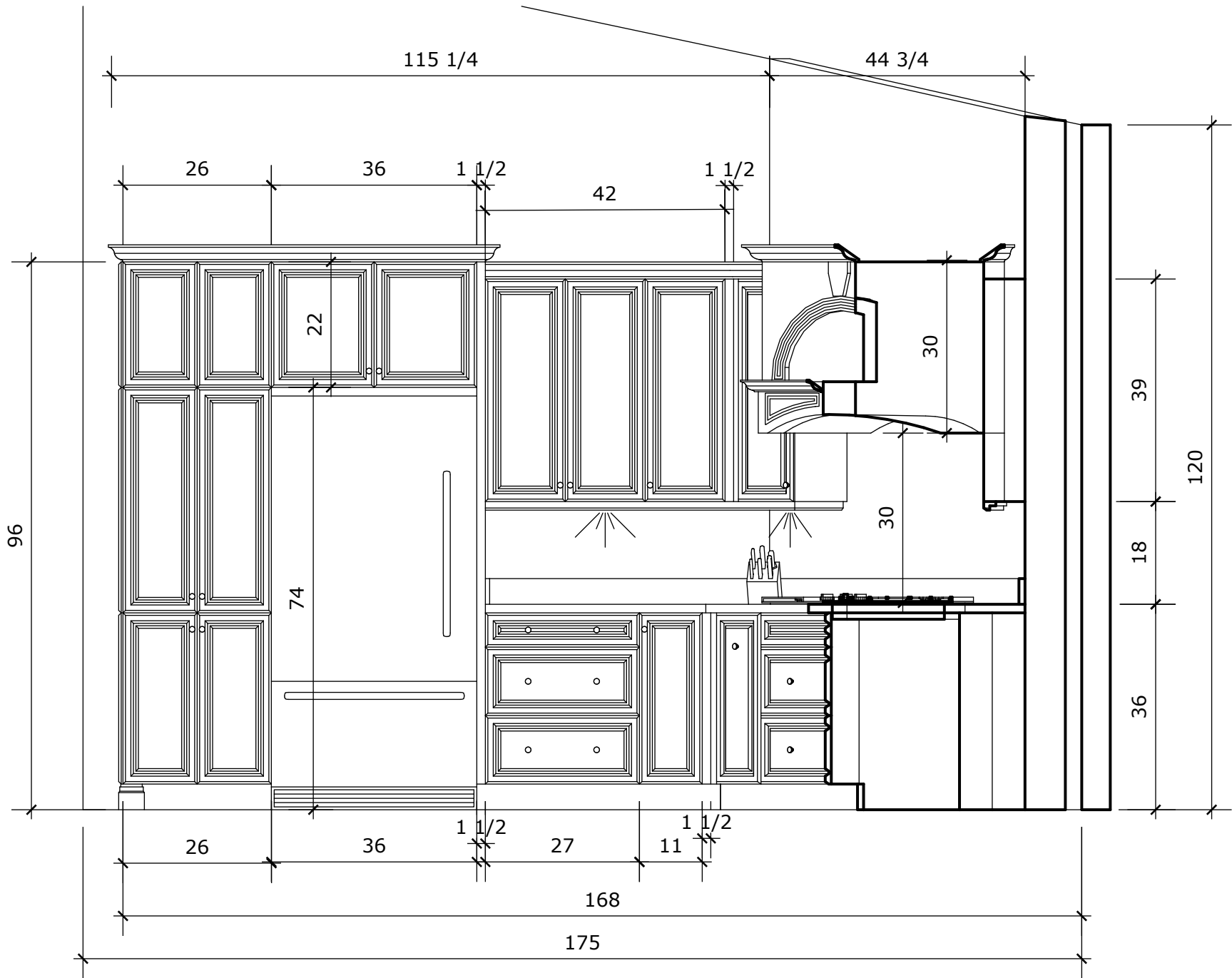
DESIGNS BY JONATHAN
 NAPLES FL

PRIVATE RESIDENCE
 KITCHEN

NOTE: THIS DRAWING IS FOR DESIGN PURPOSES ONLY. VERIFY ALL DEVICES IN FIELD BEFORE INSTALLATION. THIS DRAWING IS NOT NECESSARILY TO SCALE. THE DESIGN, CONCEPTS, SPECIFICATIONS AND DOCUMENTS HEREIN ARE THE PROPERTY OF CARMO AND ARE FOR GRAPHICAL REPRESENTATION ONLY. VARIATIONS IN WOOD, COLOR, SHAPE, STYLE, AND APPLIANCES WILL VARY. NO PART THEREOF SHALL BE COPIED OR OTHERWISE DISCLOSED TO, OR USED BY OTHERS WITHOUT THE WRITTEN CONSENT OF CARMO UNTIL SUCH TIME AS CONTRACT BUSINESS DOCUMENTS HAVE BEEN COMPLETED BETWEEN CARMO AND CUSTOMER.

1	01/20/2013	ORIGINAL	SIGN
2	01/31/2013	REVS	
3	02/04/2013	FINAL	

FLOOR B



ELEVATION 
 scale: 1/2"

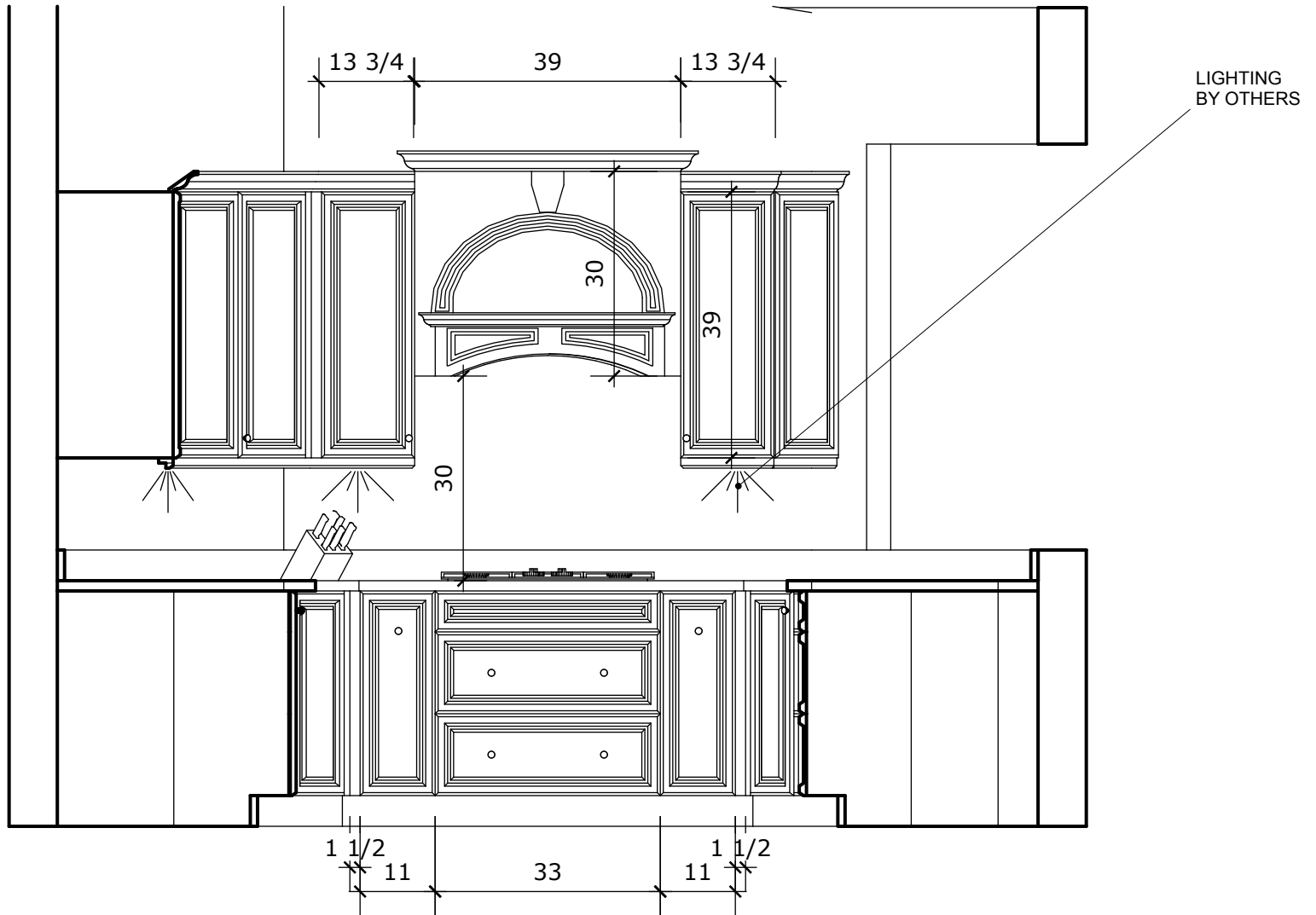
DESIGNS BY JONATHAN
 NAPLES FL

PRIVATE RESIDENCE
 KITCHEN

NOTE: THIS DRAWING IS FOR DESIGN PURPOSES ONLY. VERIFY ALL DEVICES IN FIELD BEFORE INSTALLATION. THIS DRAWING IS NOT NECESSARILY TO SCALE. THE DESIGN, CONCEPTS, SPECIFICATIONS AND DOCUMENTS HEREIN ARE THE PROPERTY OF CARMO AND ARE FOR GRAPHICAL REPRESENTATION ONLY. VARIATIONS IN WOOD, COLOR, SHAPE, STYLE, AND APPLIANCES WILL VARY. NO PART THEREOF SHALL BE COPIED OR OTHERWISE DISCLOSED TO, OR USED BY OTHERS WITHOUT THE WRITTEN CONSENT OF CARMO UNTIL SUCH TIME AS CONTRACT BUSINESS DOCUMENTS HAVE BEEN COMPLETED BETWEEN CARMO AND CUSTOMER.

1	01/20/2013	ORIGINAL	SIGN
2	01/31/2013	REVS	
3	02/04/2013	FINAL	

ELEV A



ELEVATION 
 scale: 1/2"

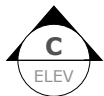
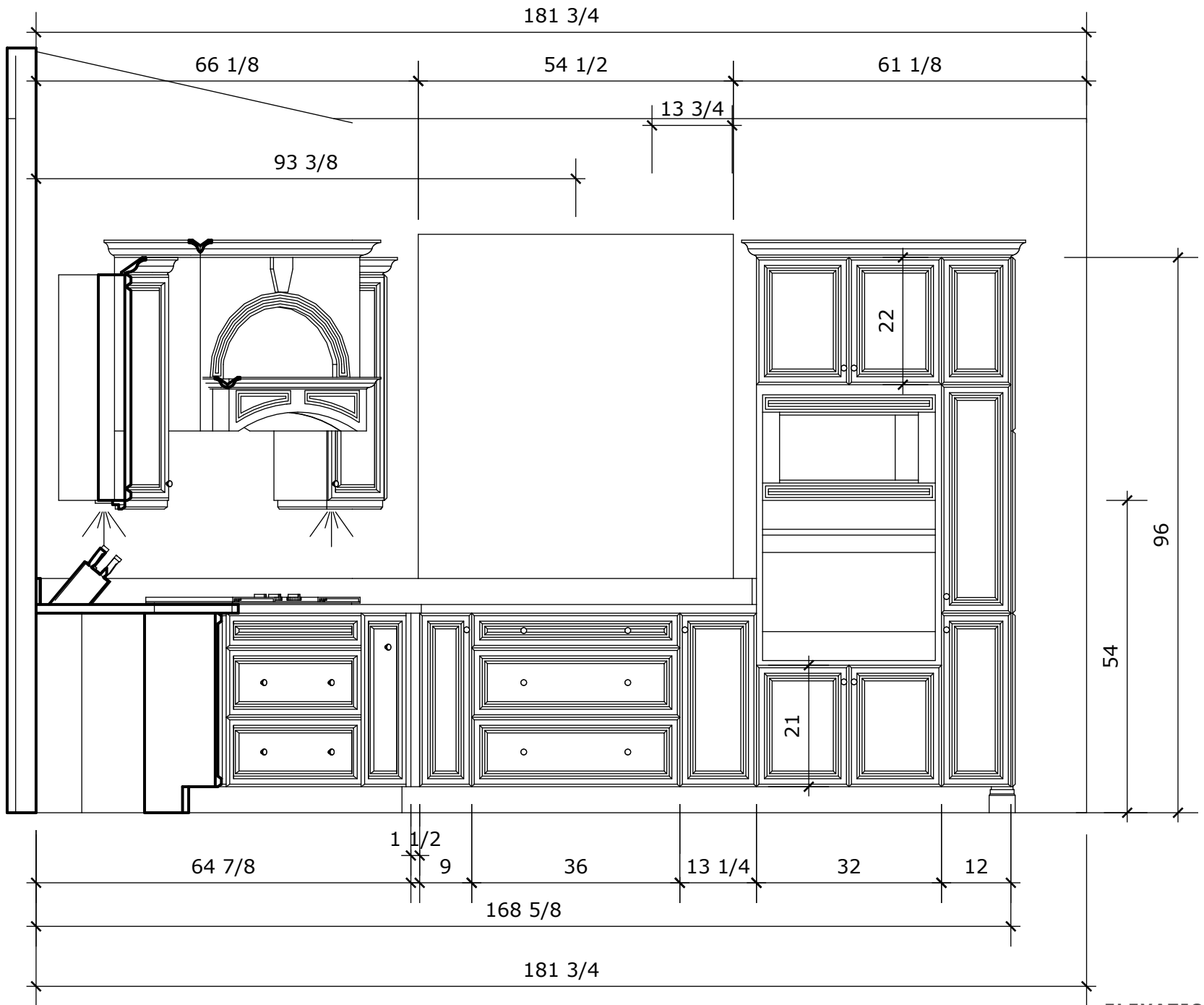
DESIGNS BY JONATHAN
 NAPLES FL

PRIVATE RESIDENCE
 KITCHEN

NOTE: THIS DRAWING IS FOR DESIGN PURPOSES ONLY. VERIFY ALL DEVICES IN FIELD BEFORE INSTALLATION. THIS DRAWING IS NOT NECESSARILY TO SCALE. THE DESIGN, CONCEPTS, SPECIFICATIONS AND DOCUMENTS HEREIN ARE THE PROPERTY OF CARMO AND ARE FOR GRAPHICAL REPRESENTATION ONLY. VARIATIONS IN WOOD, COLOR, SHAPE, STYLE, AND APPLIANCES WILL VARY. NO PART THEREOF SHALL BE COPIED OR OTHERWISE DISCLOSED TO, OR USED BY OTHERS WITHOUT THE WRITTEN CONSENT OF CARMO UNTIL SUCH TIME AS CONTRACT BUSINESS DOCUMENTS HAVE BEEN COMPLETED BETWEEN CARMO AND CUSTOMER.

1	01/20/2013	ORIGINAL	SIGN
2	01/31/2013	REVS	
3	02/04/2013	FINAL	

ELEV B



ELEVATION

scale: 1/2"



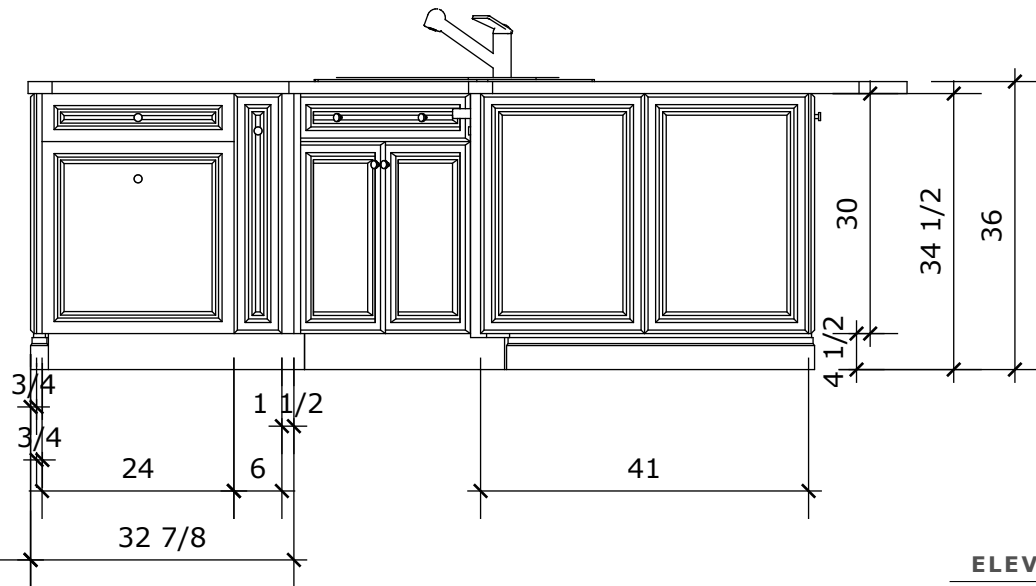
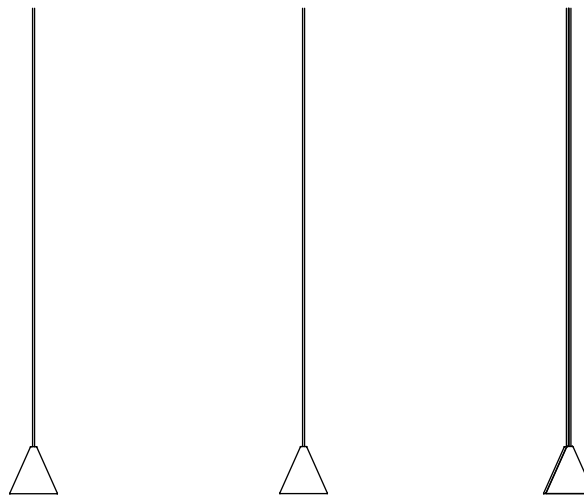
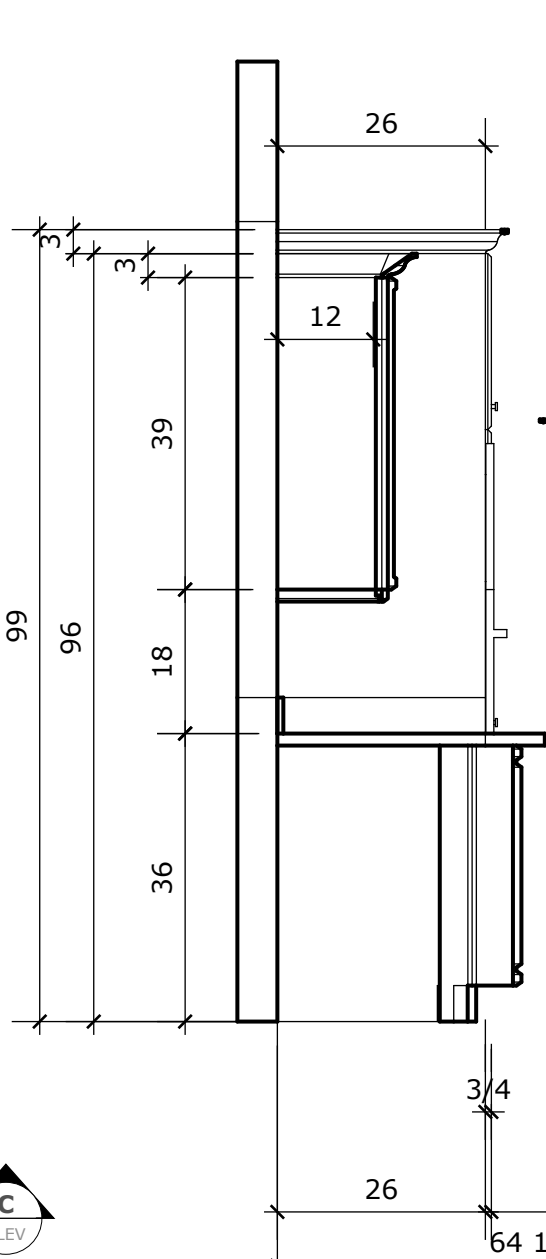
DESIGNS BY JONATHAN
NAPLES FL

PRIVATE RESIDENCE
KITCHEN

NOTE: THIS DRAWING IS FOR DESIGN PURPOSES ONLY. VERIFY ALL DEVICES IN FIELD BEFORE INSTALLATION. THIS DRAWING IS NOT NECESSARILY TO SCALE. THE DESIGN, CONCEPTS, SPECIFICATIONS AND DOCUMENTS HEREIN ARE THE PROPERTY OF CARMO AND ARE FOR GRAPHICAL REPRESENTATION ONLY. VARIATIONS IN WOOD, COLOR, SHAPE, STYLE, AND APPLIANCES WILL VARY. NO PART THEREOF SHALL BE COPIED OR OTHERWISE DISCLOSED TO, OR USED BY OTHERS WITHOUT THE WRITTEN CONSENT OF CARMO UNTIL SUCH TIME AS CONTRACT BUSINESS DOCUMENTS HAVE BEEN COMPLETED BETWEEN CARMO AND CUSTOMER.

1	01/20/2013	ORIGINAL	SIGN
2	01/31/2013	REVS	
3	02/04/2013	FINAL	

ELEV C



ELEVATION 
scale: 1/2"

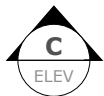
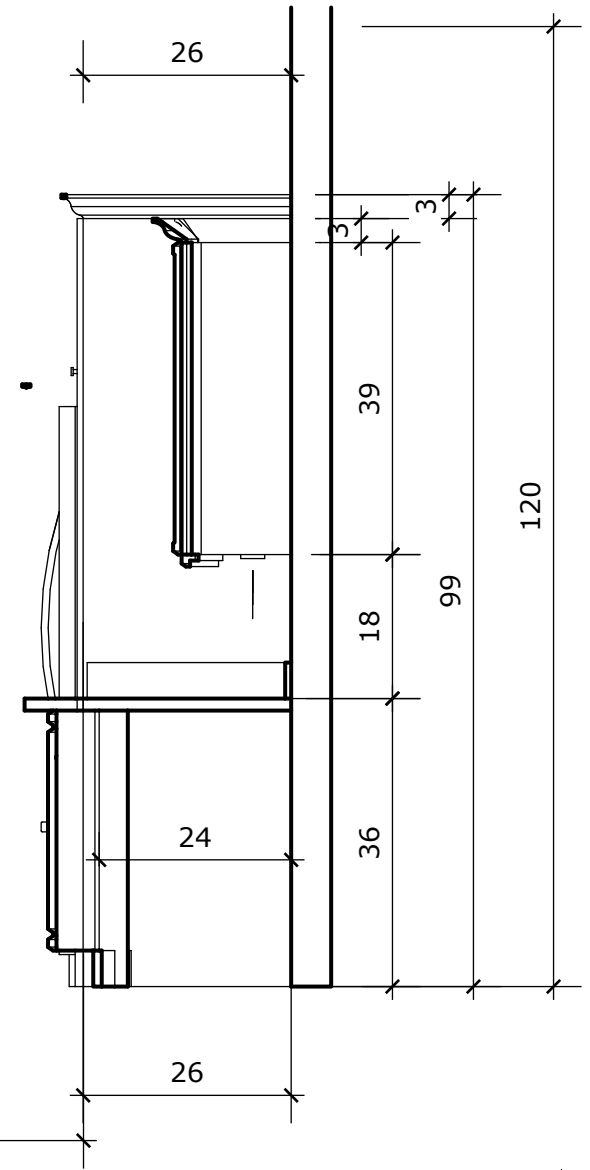
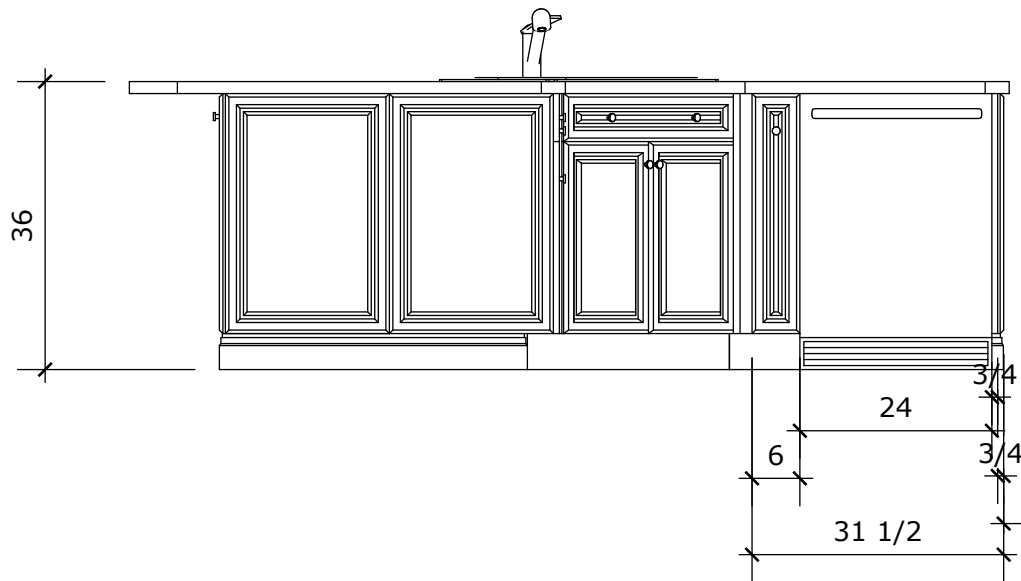
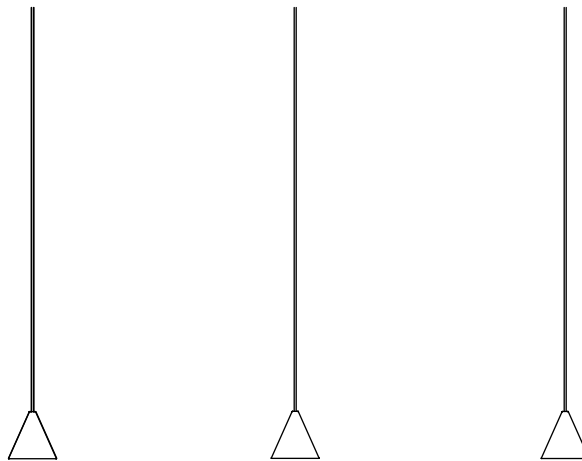
DESIGNS BY JONATHAN
NAPLES FL

PRIVATE RESIDENCE
KITCHEN

NOTE: THIS DRAWING IS FOR DESIGN PURPOSES ONLY. VERIFY ALL DEVICES IN FIELD BEFORE INSTALLATION. THIS DRAWING IS NOT NECESSARILY TO SCALE. THE DESIGN, CONCEPTS, SPECIFICATIONS AND DOCUMENTS HEREIN ARE THE PROPERTY OF CARMO AND ARE FOR GRAPHICAL REPRESENTATION ONLY. VARIATIONS IN WOOD, COLOR, SHAPE, STYLE, AND APPLIANCES WILL VARY. NO PART THEREOF SHALL BE COPIED OR OTHERWISE DISCLOSED TO, OR USED BY OTHERS WITHOUT THE WRITTEN CONSENT OF CARMO UNTIL SUCH TIME AS CONTRACT BUSINESS DOCUMENTS HAVE BEEN COMPLETED BETWEEN CARMO AND CUSTOMER.

1	01/20/2013	ORIGINAL	SIGN
2	01/31/2013	REVS	
3	02/04/2013	FINAL	

ELEV D



ELEVATION 
 scale: 1/2"

DESIGNS BY JONATHAN
 NAPLES FL

PRIVATE RESIDENCE
 KITCHEN

NOTE: THIS DRAWING IS FOR DESIGN PURPOSES ONLY. VERIFY ALL DEVICES IN FIELD BEFORE INSTALLATION. THIS DRAWING IS NOT NECESSARILY TO SCALE. THE DESIGN, CONCEPTS, SPECIFICATIONS AND DOCUMENTS HEREIN ARE THE PROPERTY OF CARMO AND ARE FOR GRAPHICAL REPRESENTATION ONLY. VARIATIONS IN WOOD, COLOR, SHAPE, STYLE, AND APPLIANCES WILL VARY. NO PART THEREOF SHALL BE COPIED OR OTHERWISE DISCLOSED TO, OR USED BY OTHERS WITHOUT THE WRITTEN CONSENT OF CARMO UNTIL SUCH TIME AS CONTRACT BUSINESS DOCUMENTS HAVE BEEN COMPLETED BETWEEN CARMO AND CUSTOMER.

1	01/20/2013	ORIGINAL	SIGN
2	01/31/2013	REVS	
3	02/04/2013	FINAL	

ELEV E