

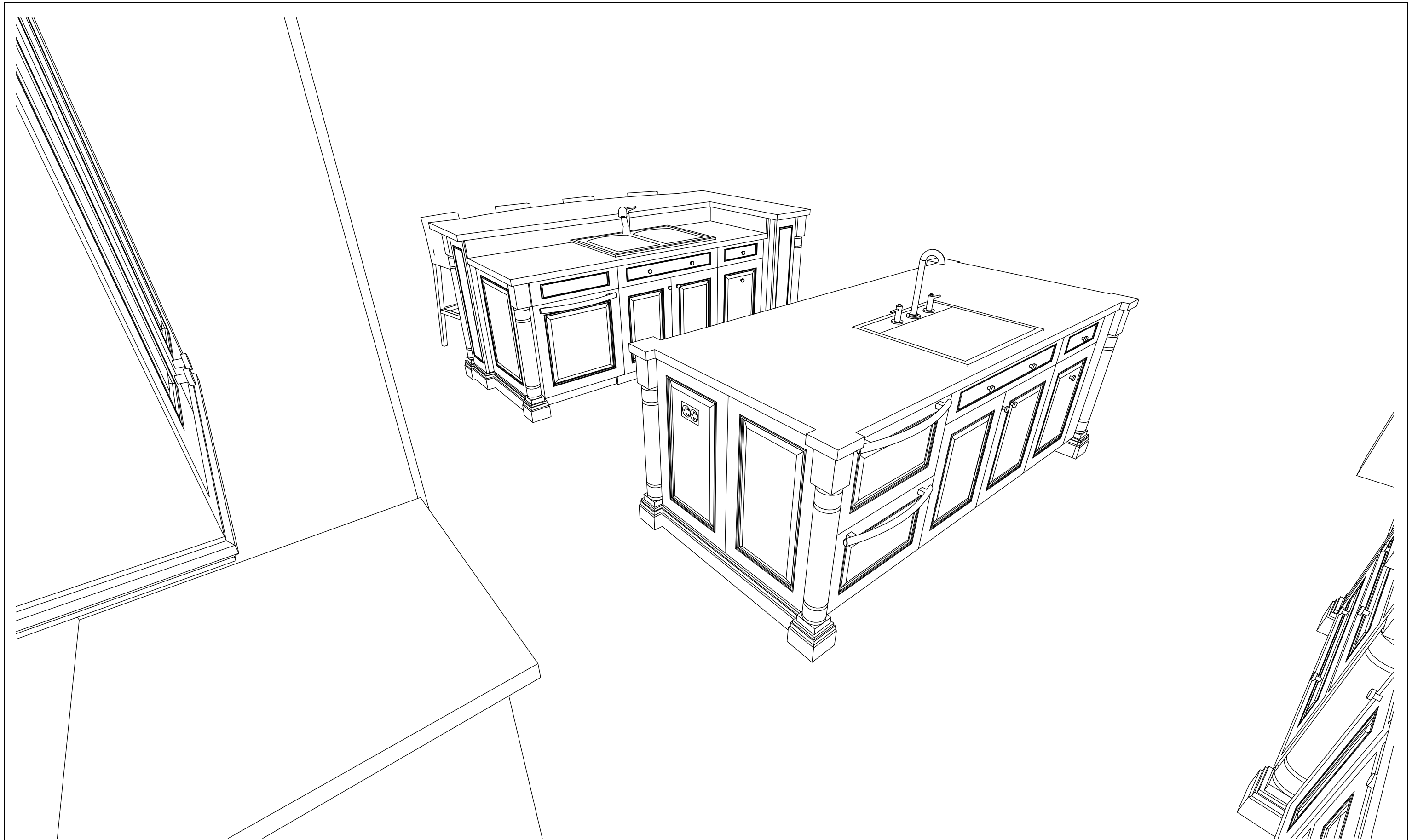
CREDITS:

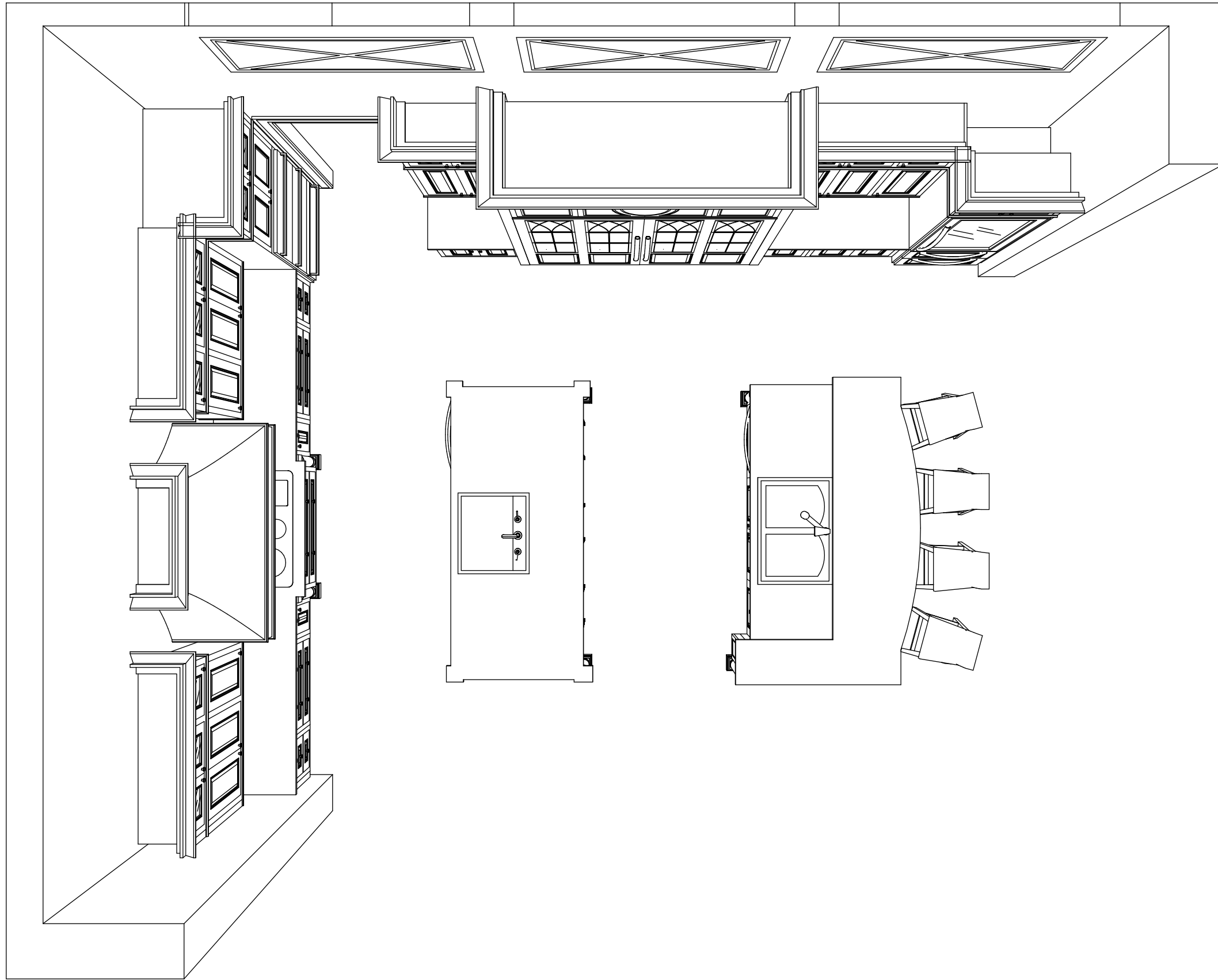
DESIGN - CLIENT, TODD G. TWD & JONATHAN
 DRAWINGS - JONATHAN
 BUILDER / REMODELER - HEMMER CONSTRUCTION NAPLES FL
 INTERIOR DESIGN - CLIENT
 PRODUCT / SUPPLIER - WOODMODE FROM TRADEWIND DESIGNS NAPLES FL







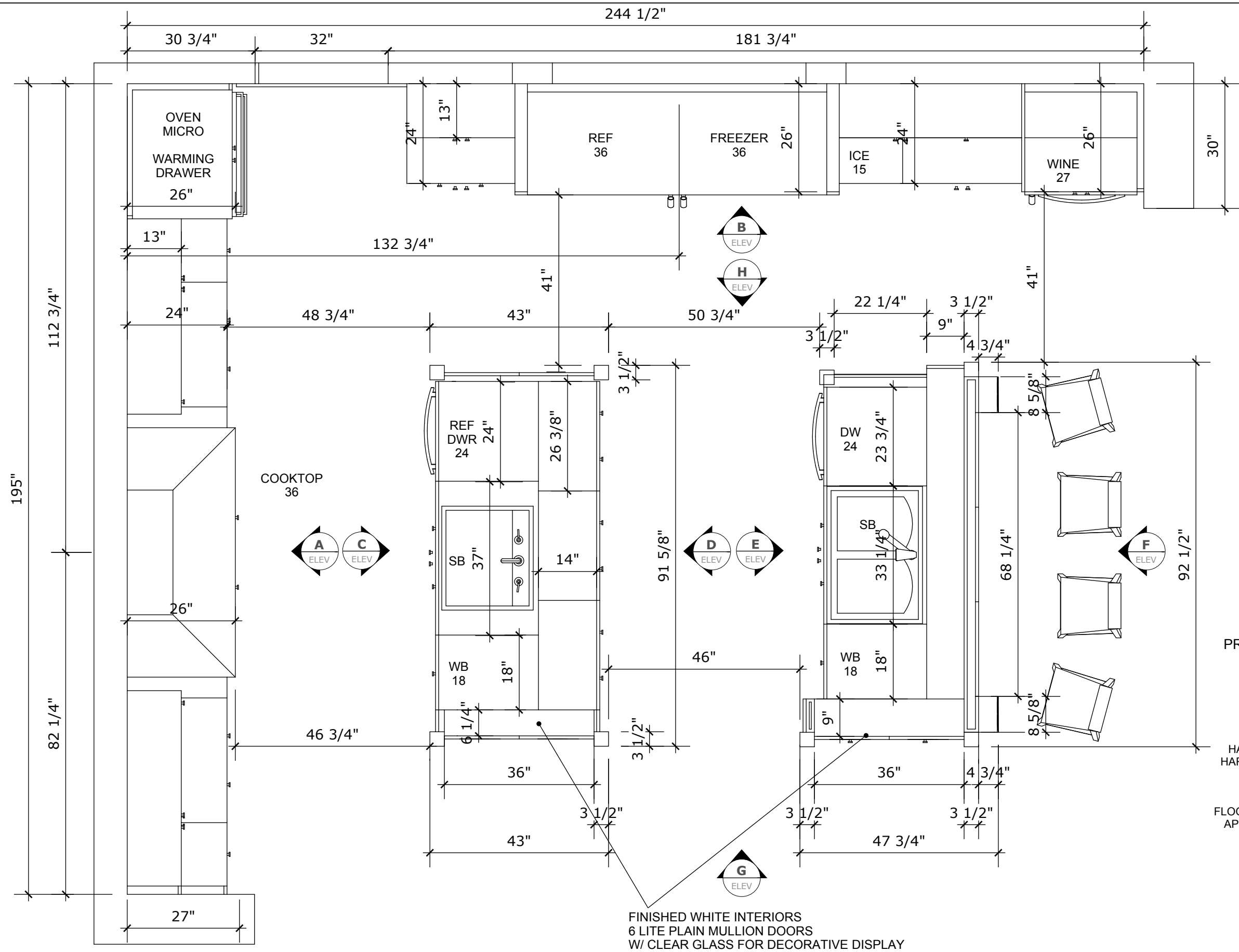




FLOOR PLAN

scale: nts





PRIVATE RESIDENCE KITCHEN

CABINETRY - TBD
 DOOR - TBD
 DRAWERS - TBD
 SPECIES - TBD
 FINISH - TBD
 HARDWARE DOOR - TBD
 HARDWARE DRAWER - TBD

COUNTERTOPS,
 FLOOR, TILE, ELEC, LIGHTING
 APPLIANCES & PLUMBING
 BY OTHERS

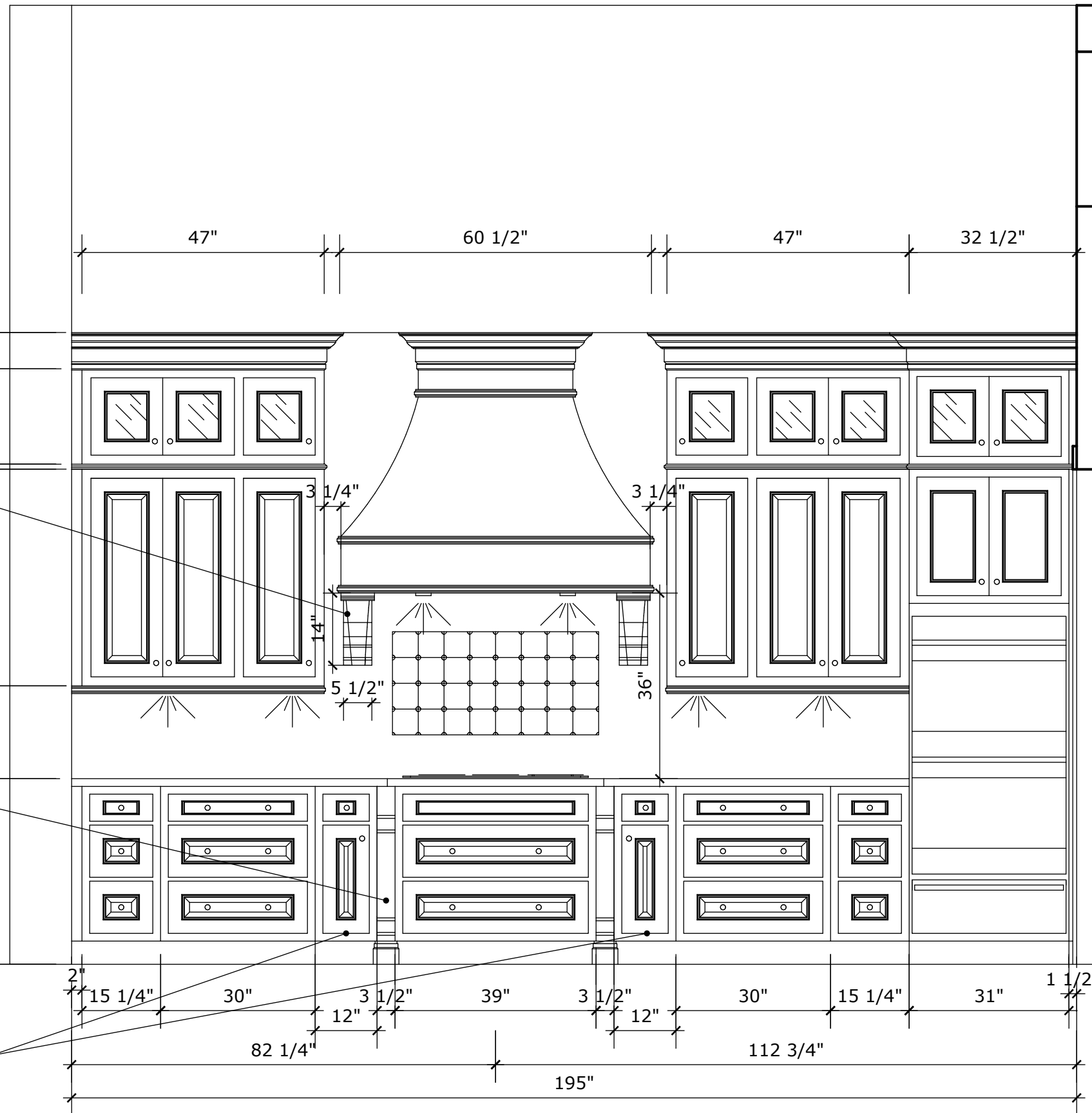
FINISHED WHITE INTERIORS
 6 LITE PLAIN MULLION DOORS
 W/ CLEAR GLASS FOR DECORATIVE DISPLAY

FLOOR PLAN
 scale: 1/2"

AFE CBL-CM3
CORBELS

AFE 3.5" POST
- A1

PULL OUT
SPICE/OIL

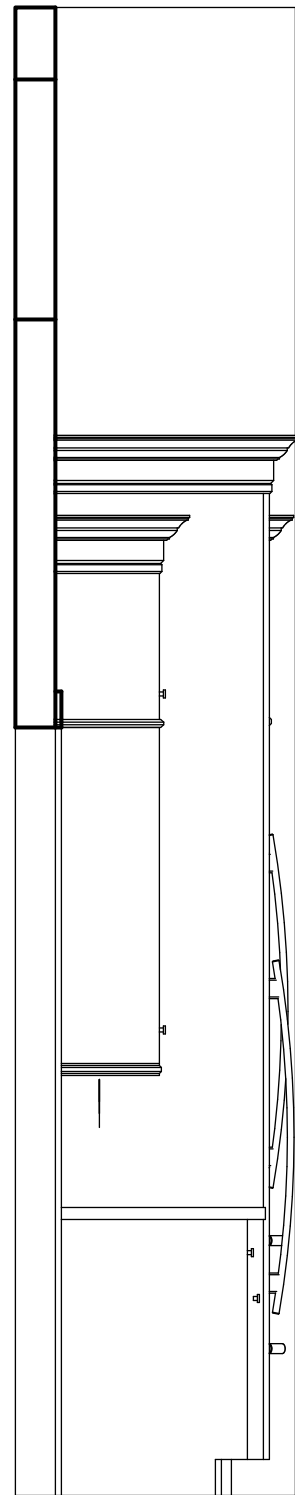


ELEVATION
scale: 1/2"

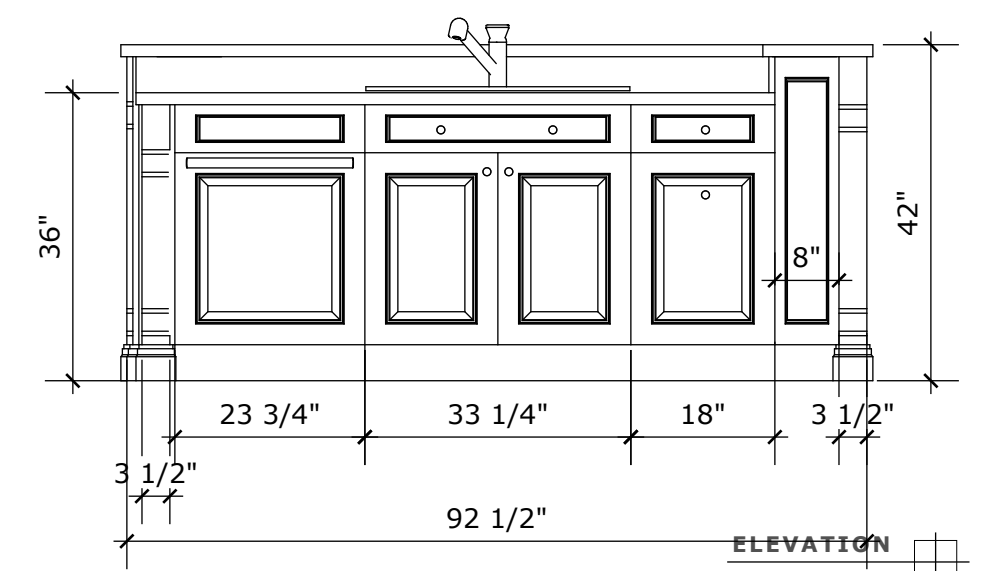
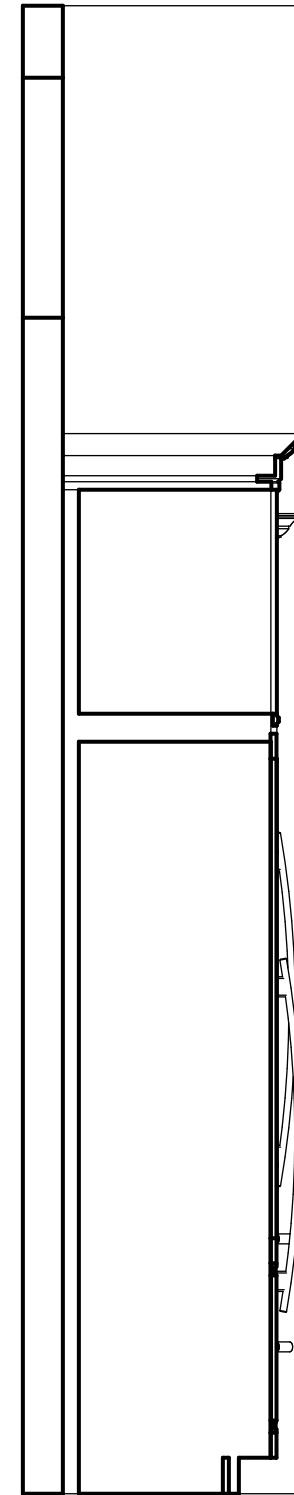
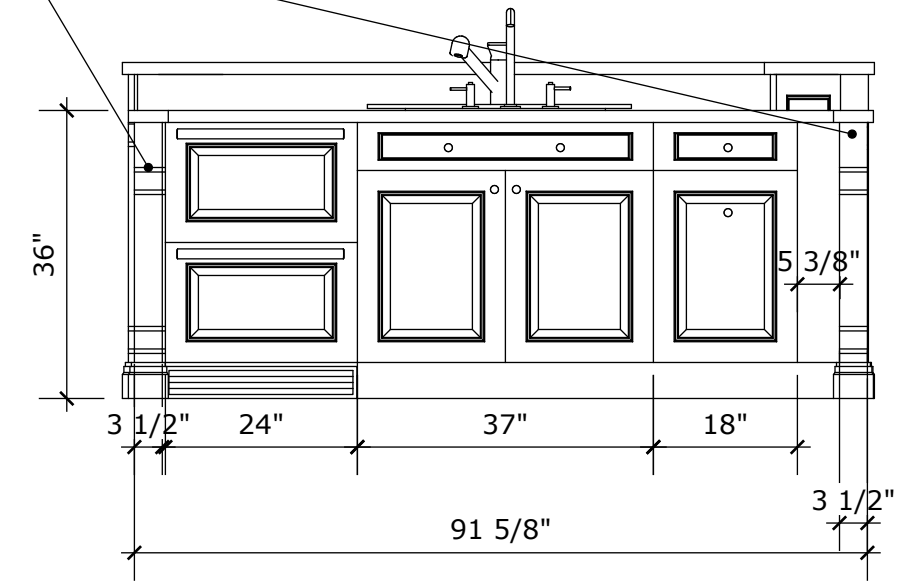


ELEVATION
scale: 1/2" □

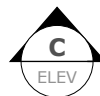
1	12/20/2012	REV B
2	01/27/2013	CURRENT



AFE 3.5" POST
- A1



ELEVATION
scale: 1/2"



1	12/20/2012	REV B
2	01/27/2013	CURRENT



ELEVATION
 scale: 1/2" 

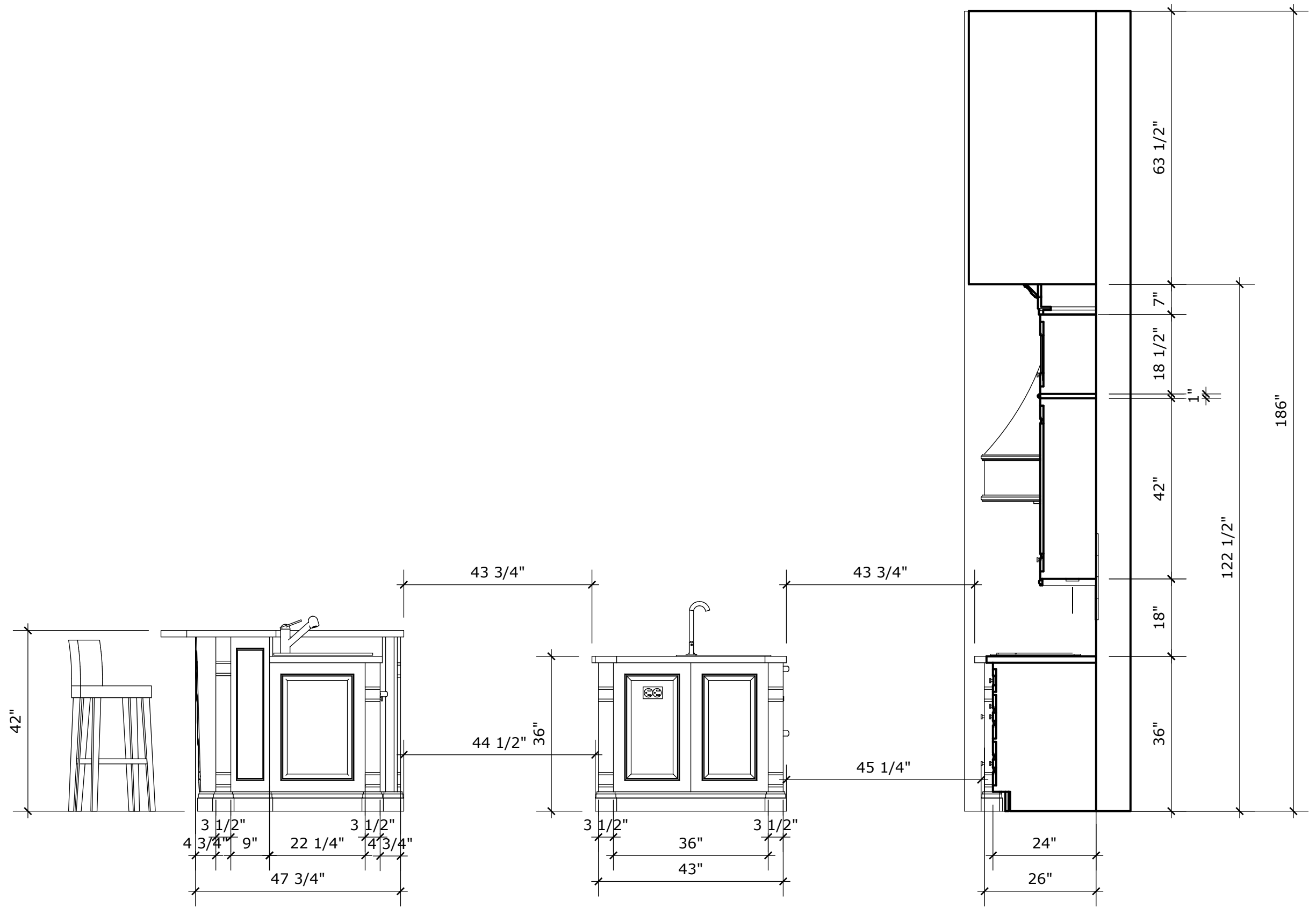


BAR POST / CORBEL
TO BE CONFIRMED & APPROVED

ELEVATION
scale: 1/2"



ELEVATION 
 scale: 1/2"



ELEVATION
scale: 1/2" 