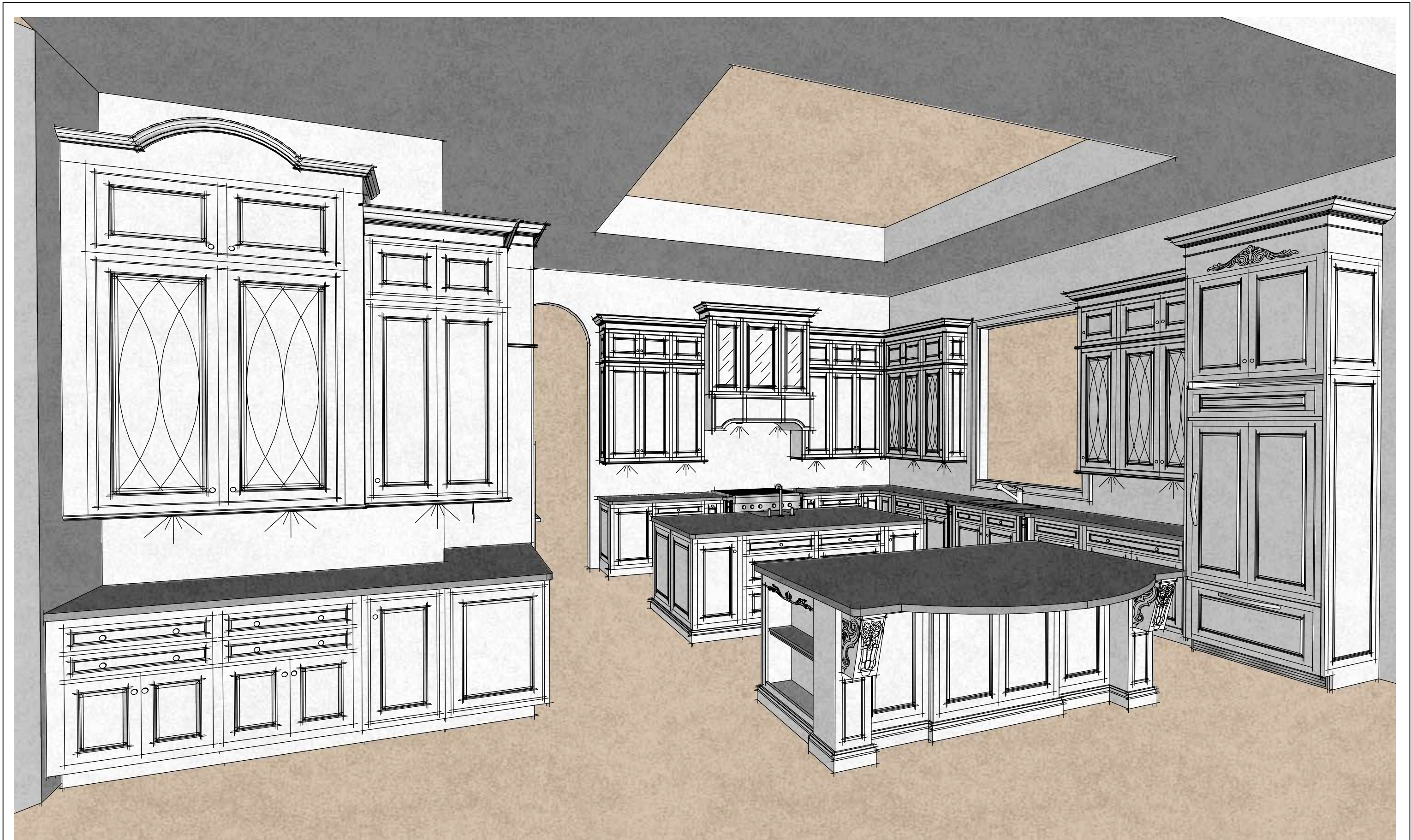




CREDITS:
 DESIGN - DESIGNERS UNLIMITED / TRADEWIND DESIGNS / CLIENT / JONATHAN
 DRAWINGS - JONATHAN
 BUILDER / REMODELER - GULFSHORE HOMES BONITA SP FL
 INTERIOR DESIGN - DESIGNERS UNLIMITED
 PRODUCT - WOODMODE / BROOKHAVEN FROM TRADEWIND DESIGNS NAPLES FL

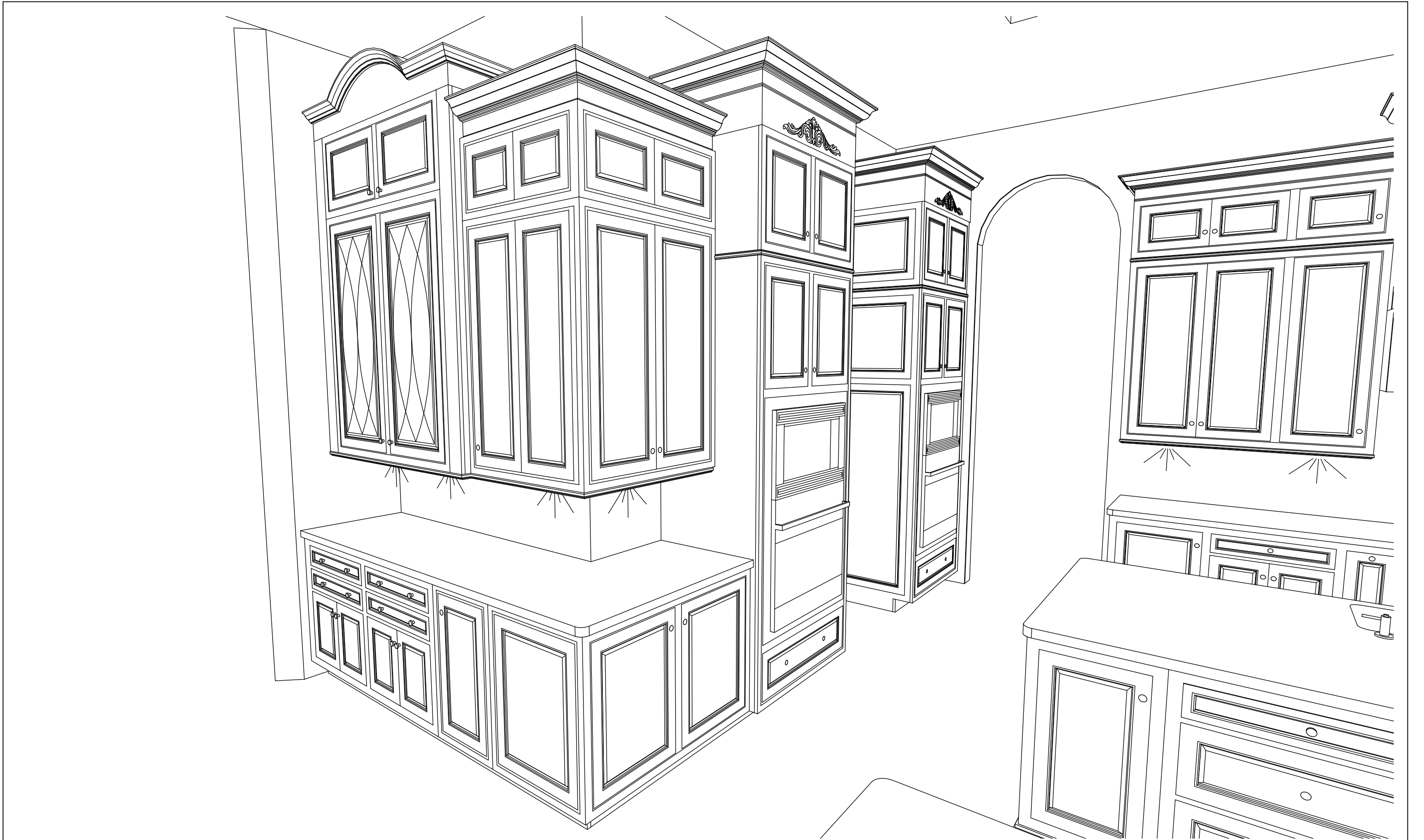


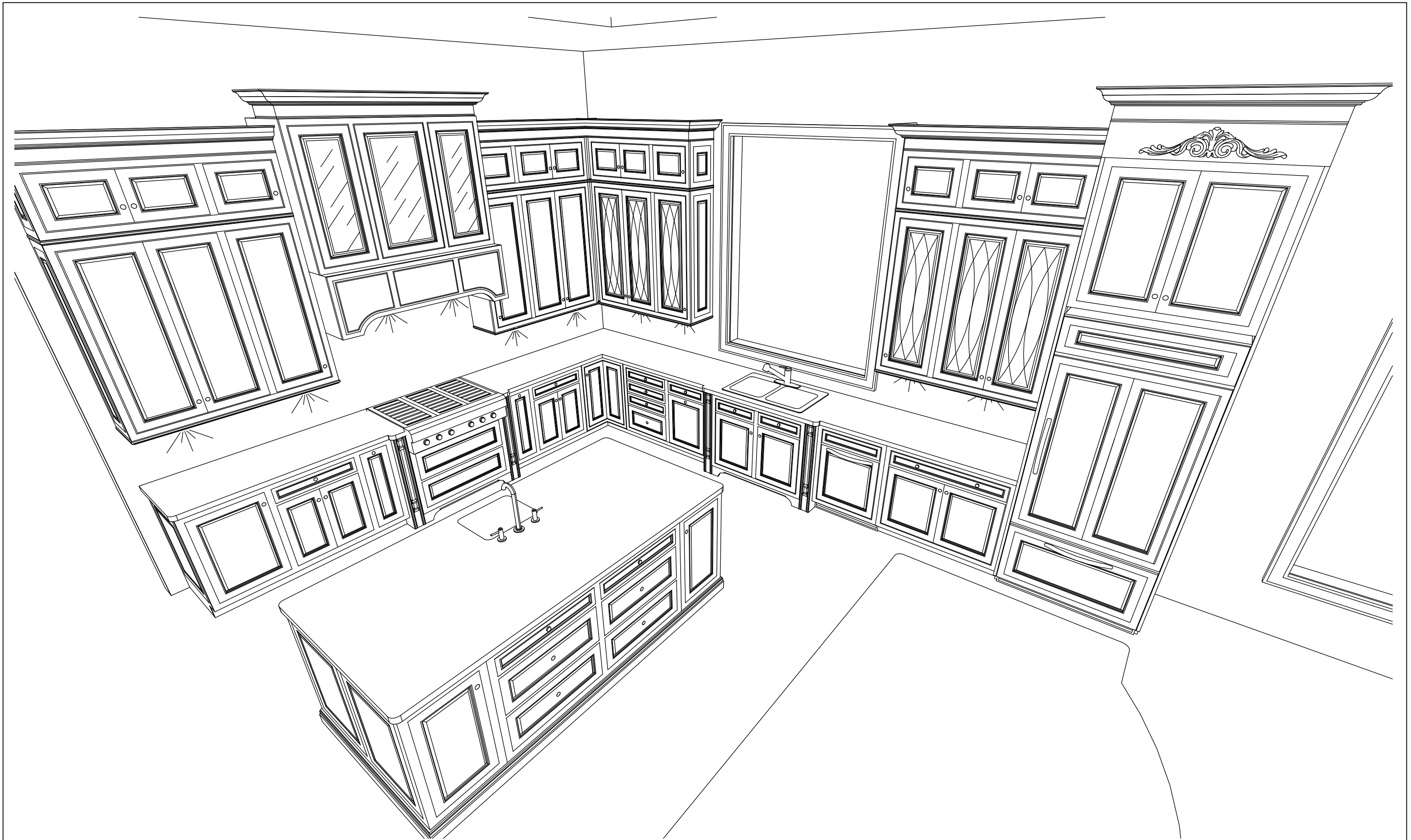




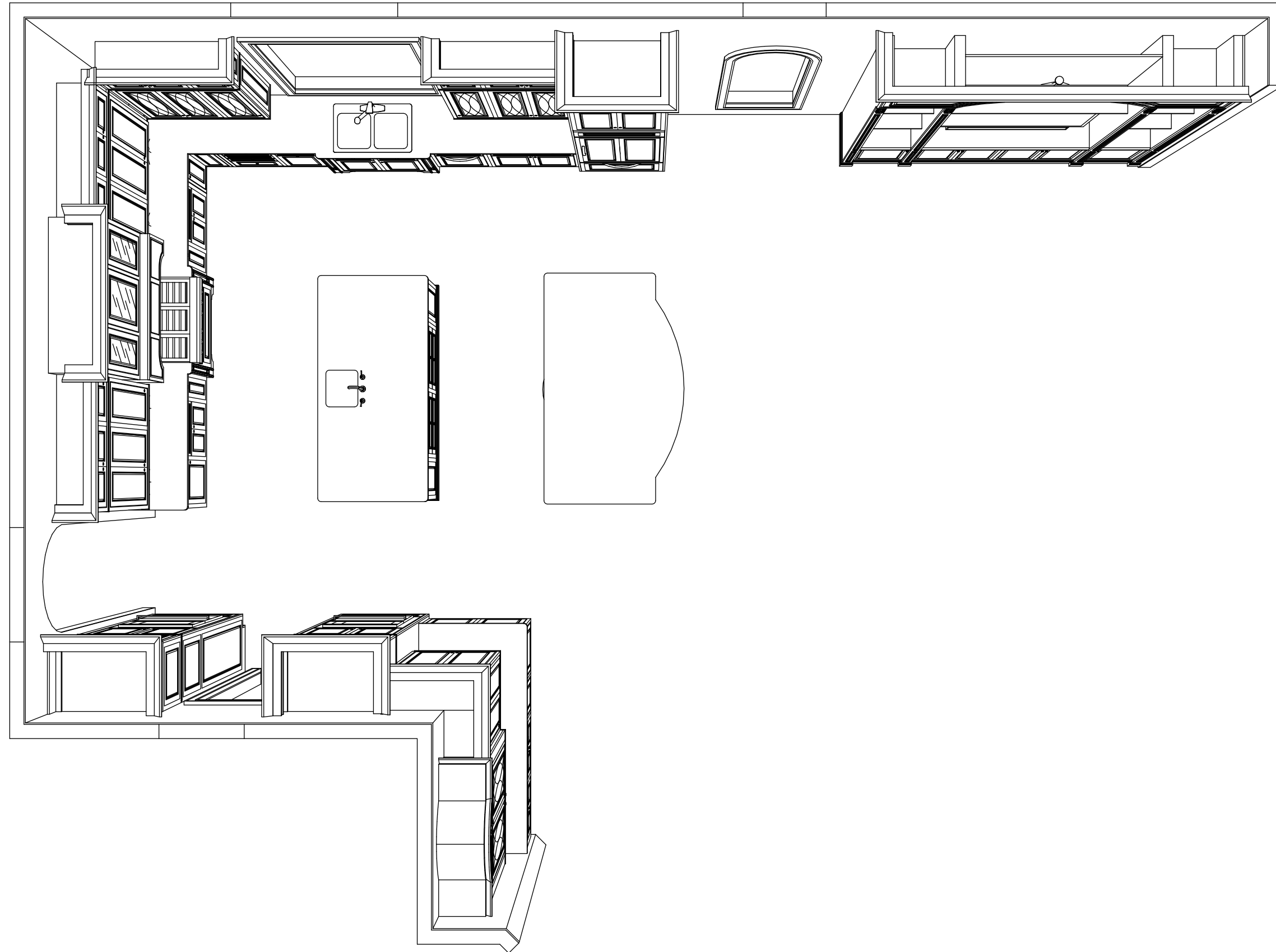




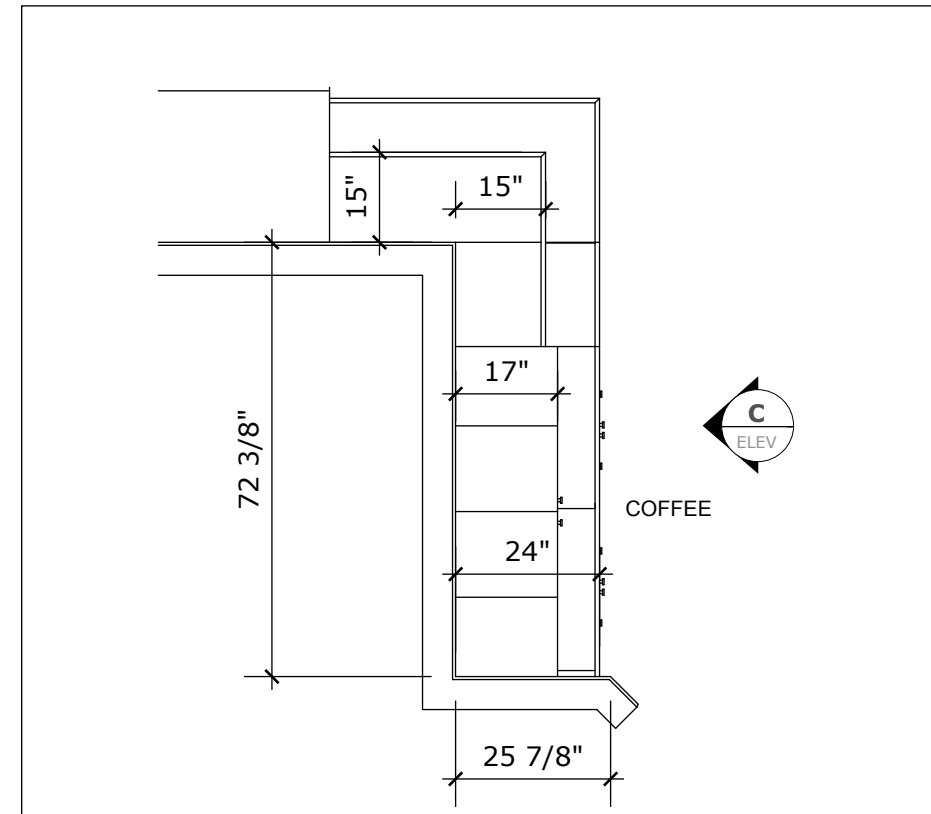
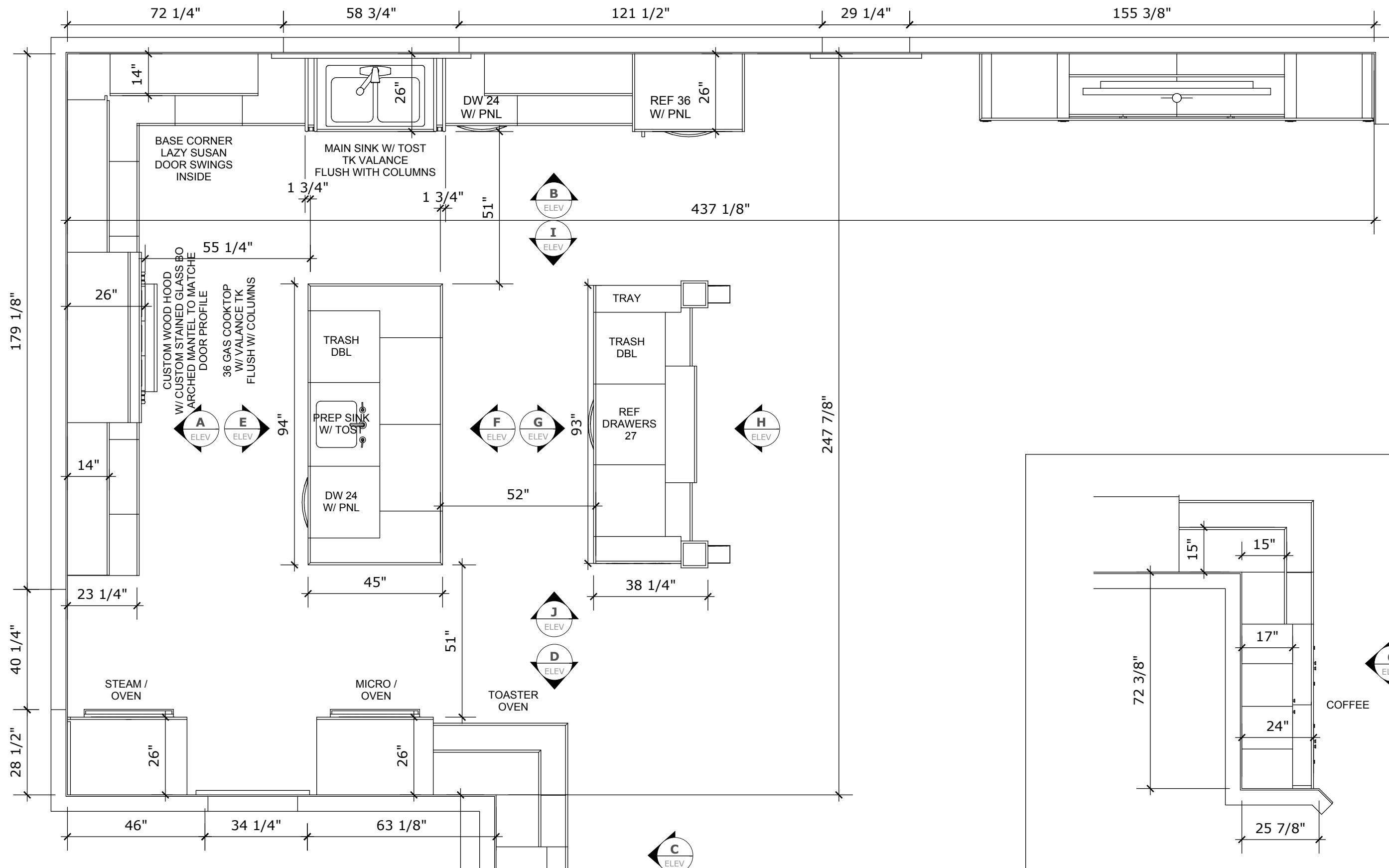




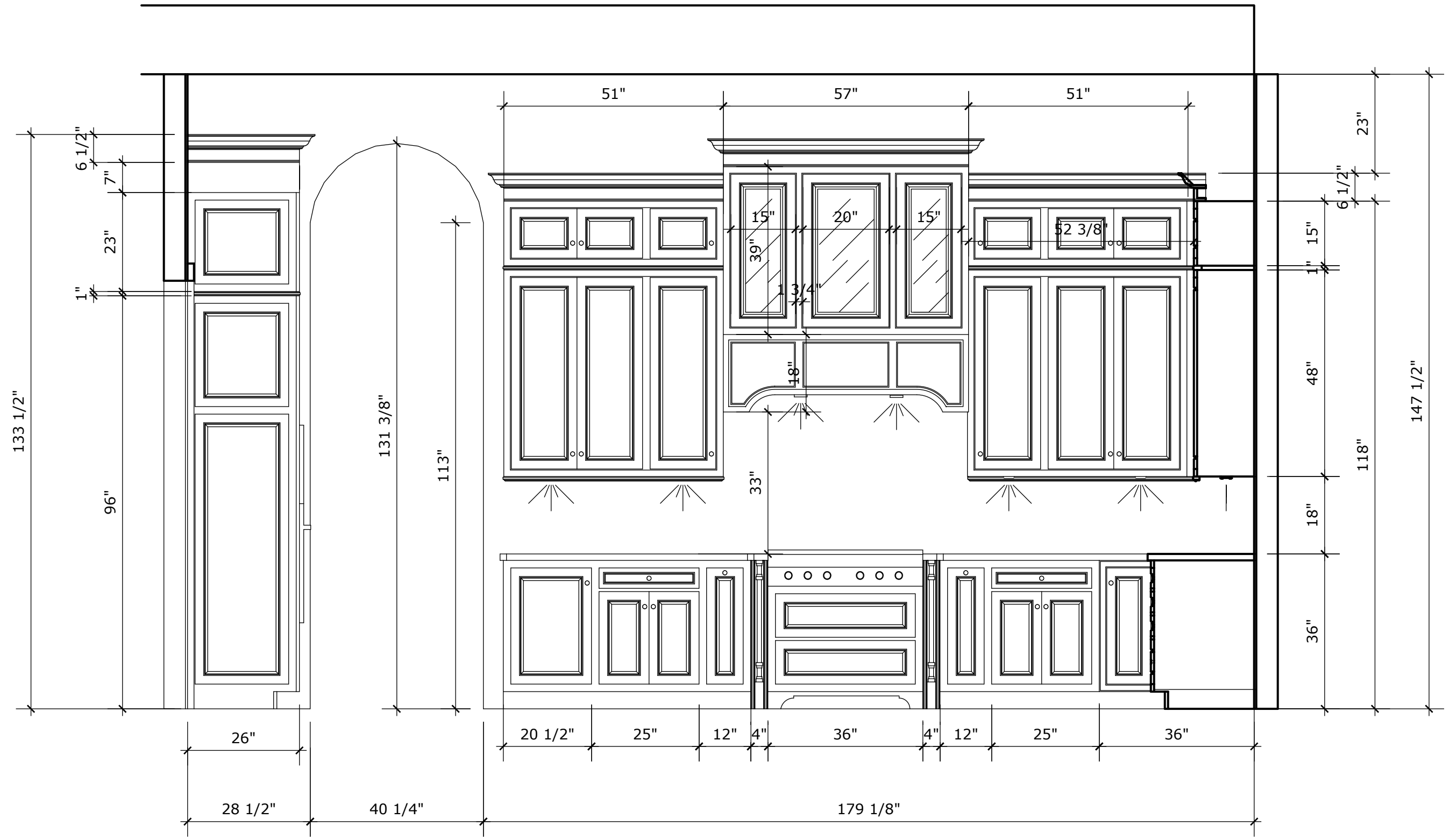




FLOOR PLAN 
scale: nts



FLOOR PLAN
scale: 1/2"



ELEVATION
 scale: 1/2"

1	09/16/2013	ORIGINAL	
2		CURRENT	



ELEVATION 
scale: 3/8"

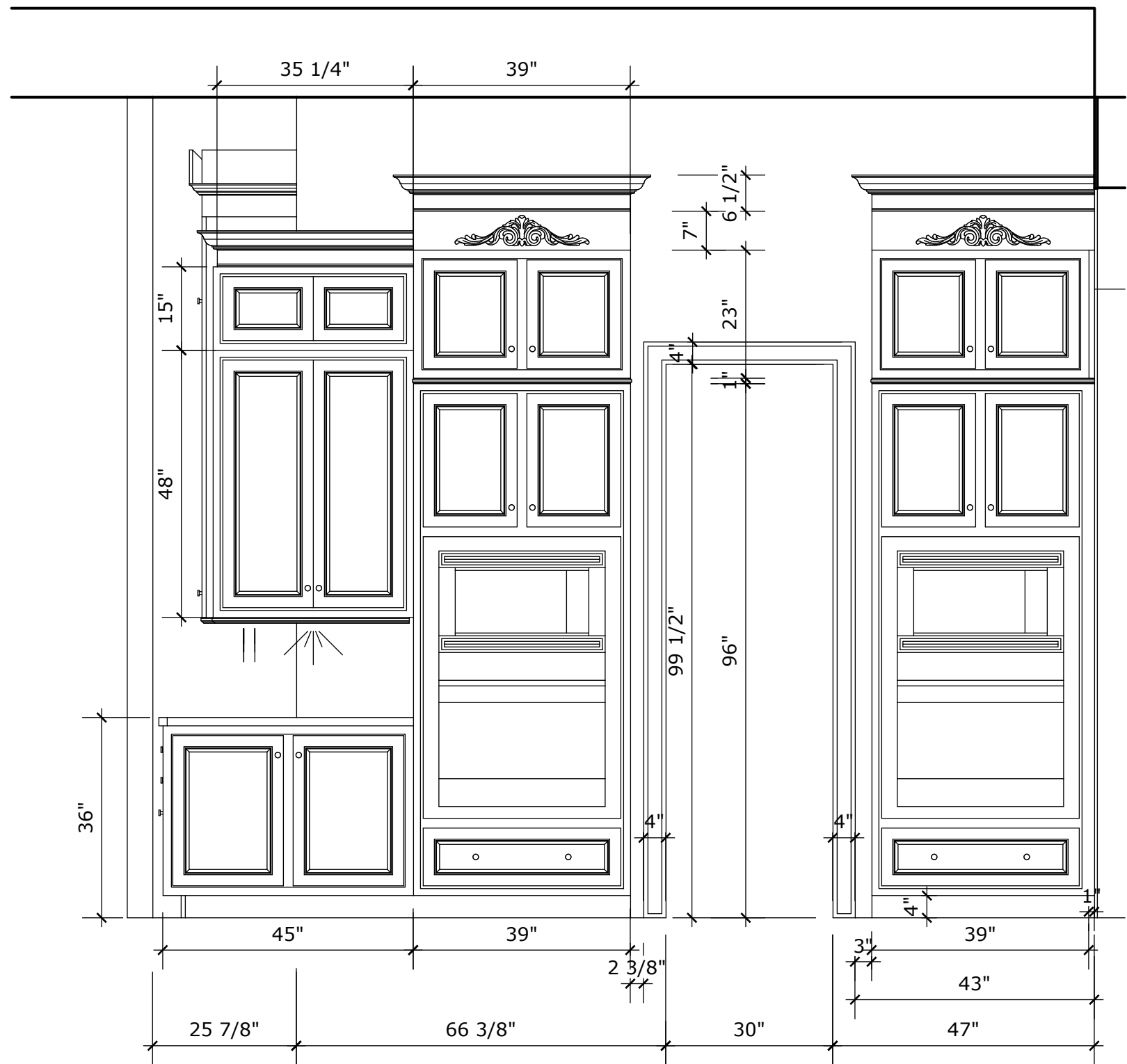
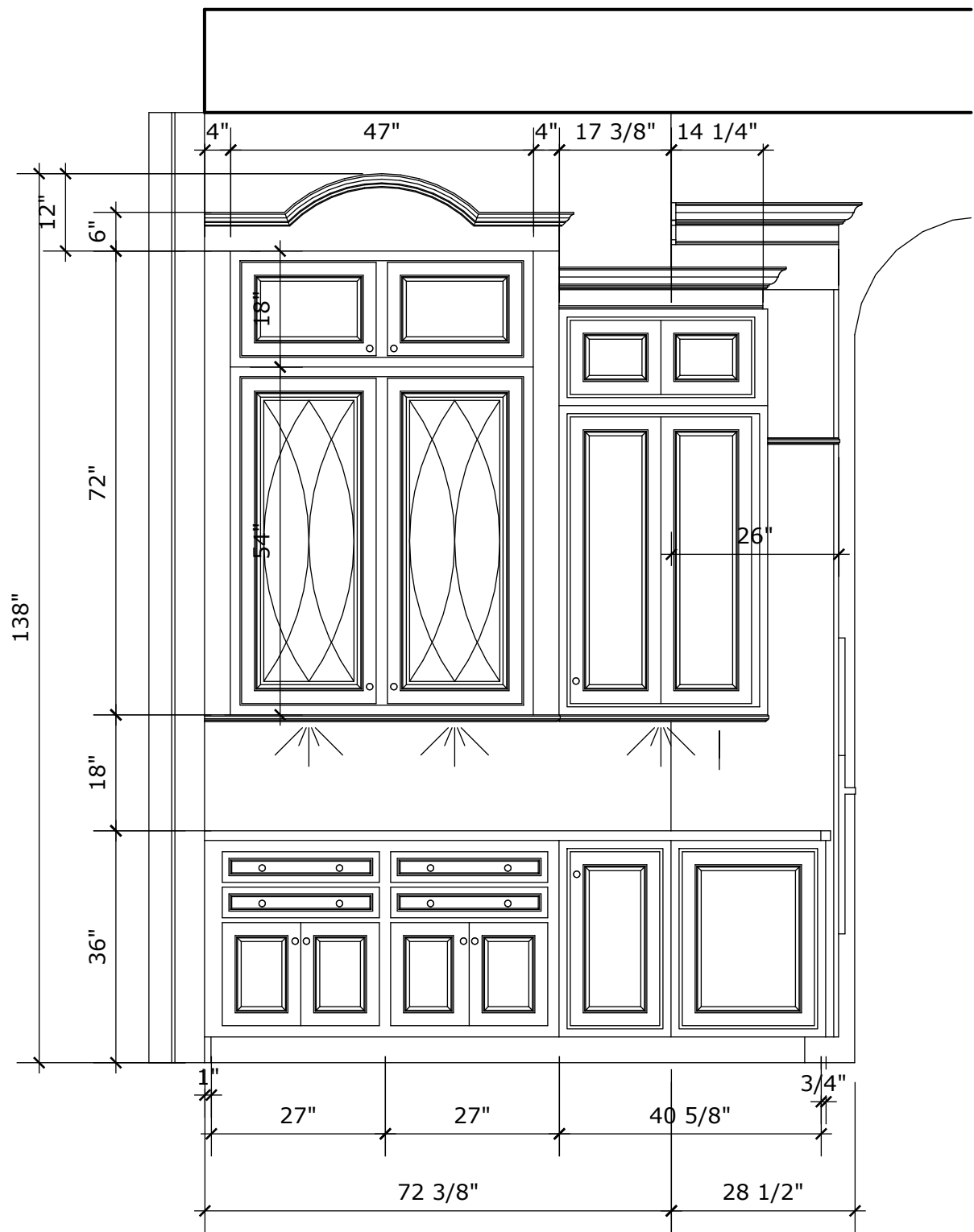
DESIGNS BY JONATHAN - DRAWINGS-ON-DEMAND!

PRIVATE RESIDENCE - KITCHEN & FAMILY ROOM

NOTE: THIS DRAWING IS FOR DESIGN PURPOSES ONLY. VERIFY ALL DEVICES IN FIELD BEFORE INSTALLATION.
 THIS DRAWING IS NOT NECESSARILY TO SCALE. THE DESIGN, CONCEPTS, SPECIFICATIONS AND DOCUMENTS HEREIN ARE THE PROPERTY OF KBKD AND ARE FOR GRAPHICAL REPRESENTATION ONLY.
 VARIATIONS IN WOOD, COLOR, SHAPE, STYLE, AND APPLIANCES WILL VARY. NO PART THEREOF SHALL BE COPIED OR OTHERWISE DISCLOSED TO, OR USED BY OTHERS WITHOUT THE WRITTEN CONSENT OF
 KBKD UNTIL SUCH TIME AS CONTRACT BUSINESS DOCUMENTS HAVE BEEN COMPLETED BETWEEN KBKD AND CUSTOMER.

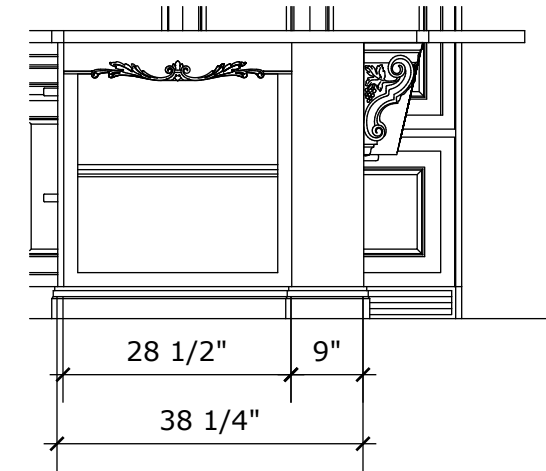
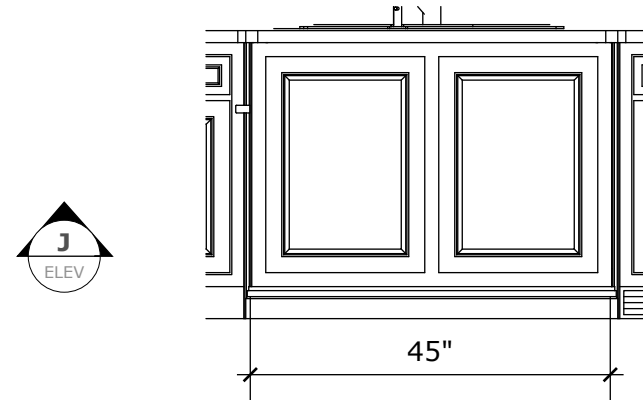
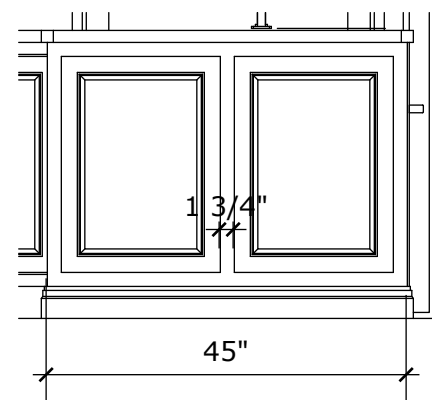
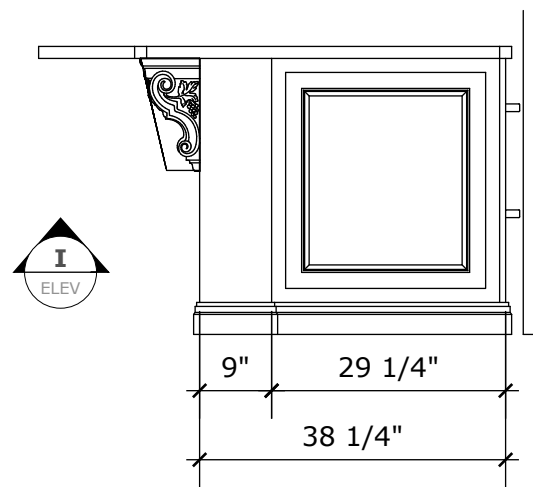
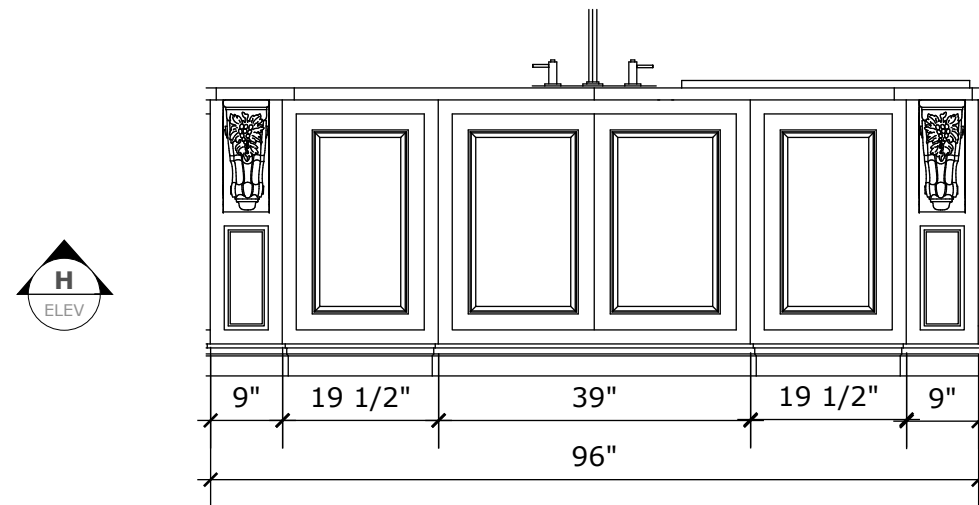
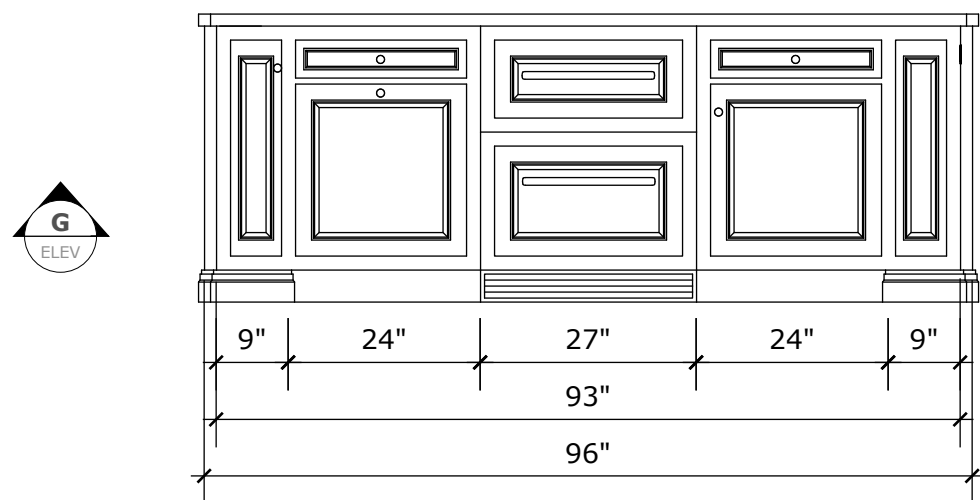
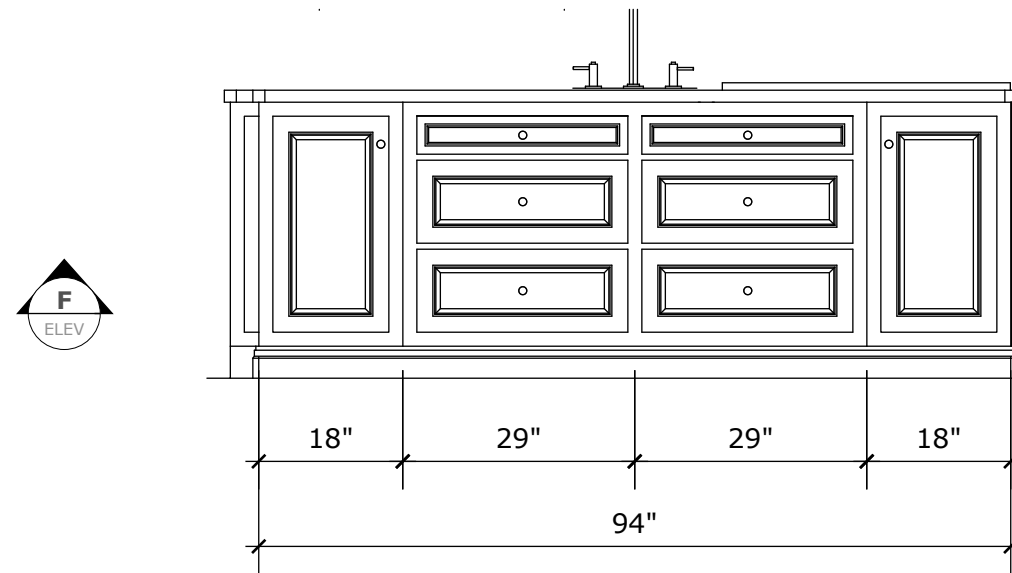
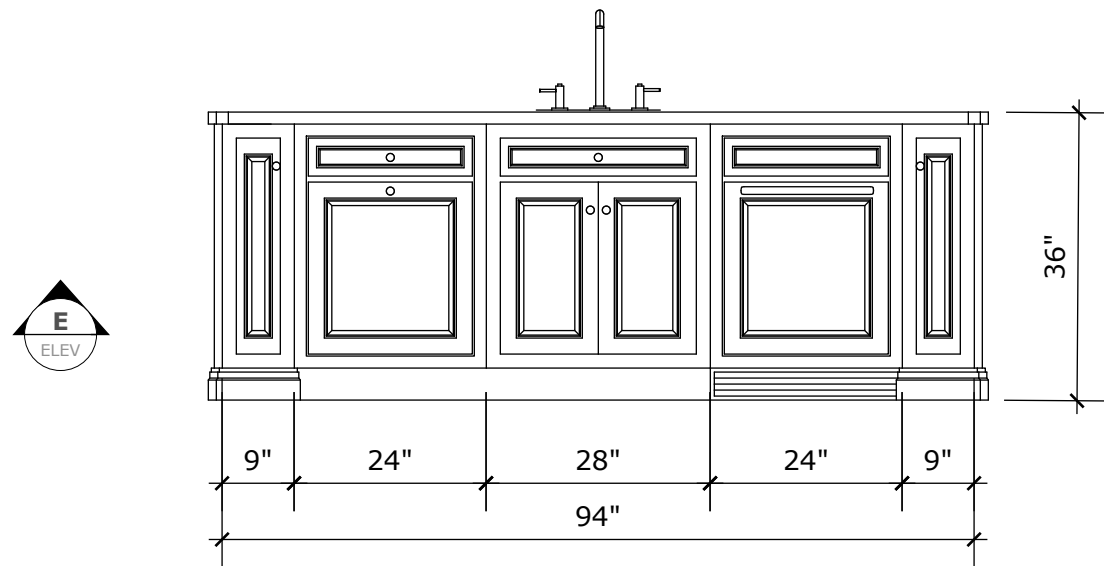
1	09/16/2013	ORIGINAL		
2		CURRENT		

ELEV B



ELEVATION
scale: 1/2" □

1	09/16/2013	ORIGINAL		
2		CURRENT		



ELEVATION
scale: 1/2"