



CREDITS:

DESIGN - COLLINS & DUPONT & JONATHAN
 DRAWINGS - JONATHAN
 PHOTOS - JONATHAN
 BUILDER / REMODELER - BORELLI CONSTRUCTION NAPLES FL
 INTERIOR DESIGN - COLLINS & DUPONT
 PRODUCT / SUPPLIER - EUROCRRAFT FROM CABNU NAPLES FL

NOTE: THIS DRAWING IS FOR DESIGN PURPOSES ONLY. VERIFY ALL DEVICES IN FIELD BEFORE INSTALLATION.
 THIS DRAWING IS NOT NECESSARILY TO SCALE. THE DESIGN, CONCEPTS, SPECIFICATIONS AND DOCUMENTS HEREIN ARE THE PROPERTY OF KBCD - DESIGNS BY JONATHAN AND ARE FOR GRAPHICAL REPRESENTATION ONLY. VARIATIONS IN WOOD, COLOR, SHAPE, STYLE, AND APPLIANCES WILL VARY. NO PART THEREOF SHALL BE COPIED OR OTHERWISE DISCLOSED TO, OR USED BY OTHERS WITHOUT THE WRITTEN CONSENT OF KBCD - DESIGNS BY JONATHAN UNTIL SUCH TIME AS CONTRACT BUSINESS DOCUMENTS HAVE BEEN COMPLETED BETWEEN KBCD - DESIGNS BY JONATHAN AND CUSTOMER.

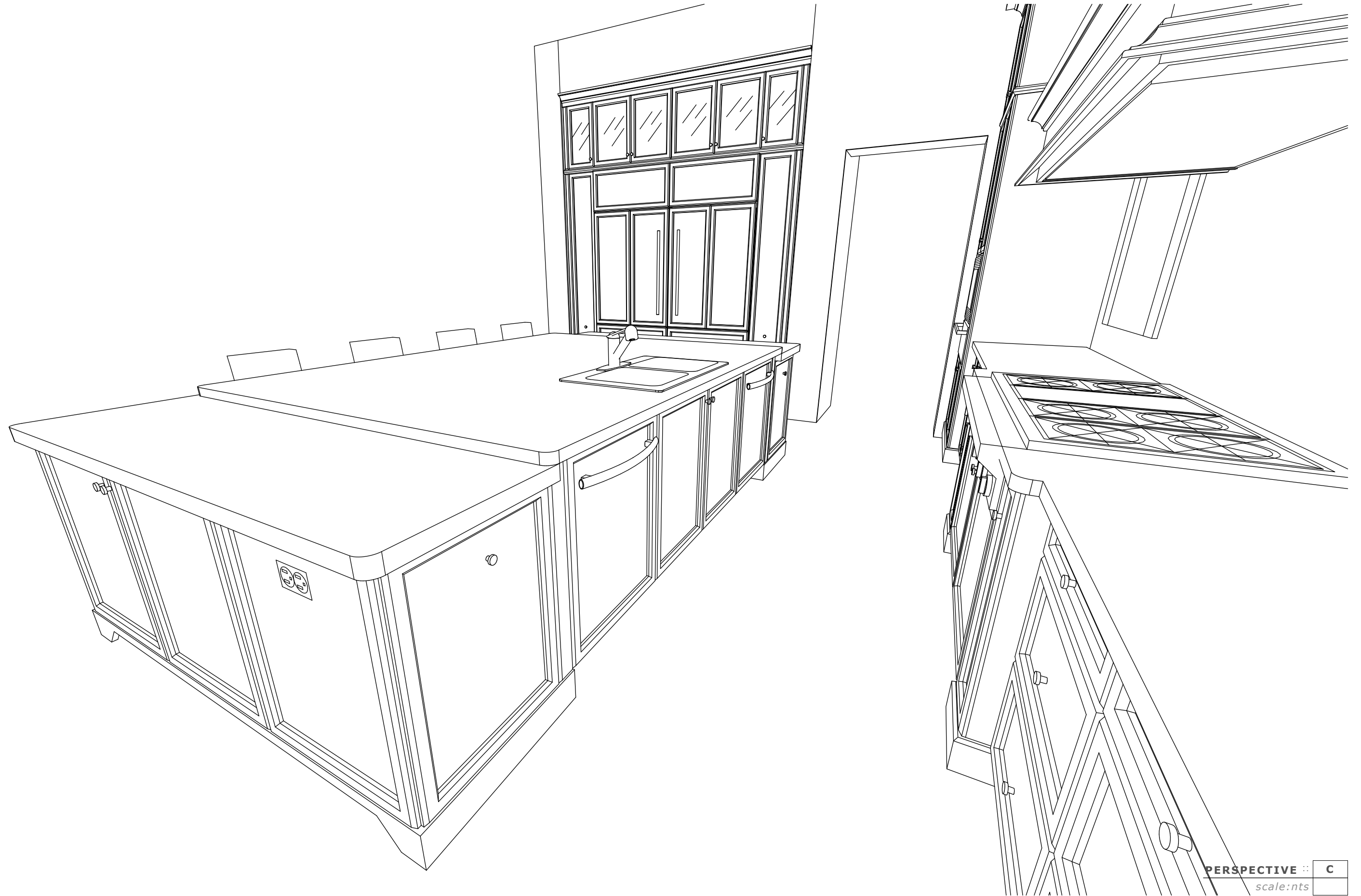
1	06/24/2012	ORIGINAL		
2	10/25/2012	CURRENT	PROPOSED FINAL	



PERSPECTIVE :: A
scale:nts

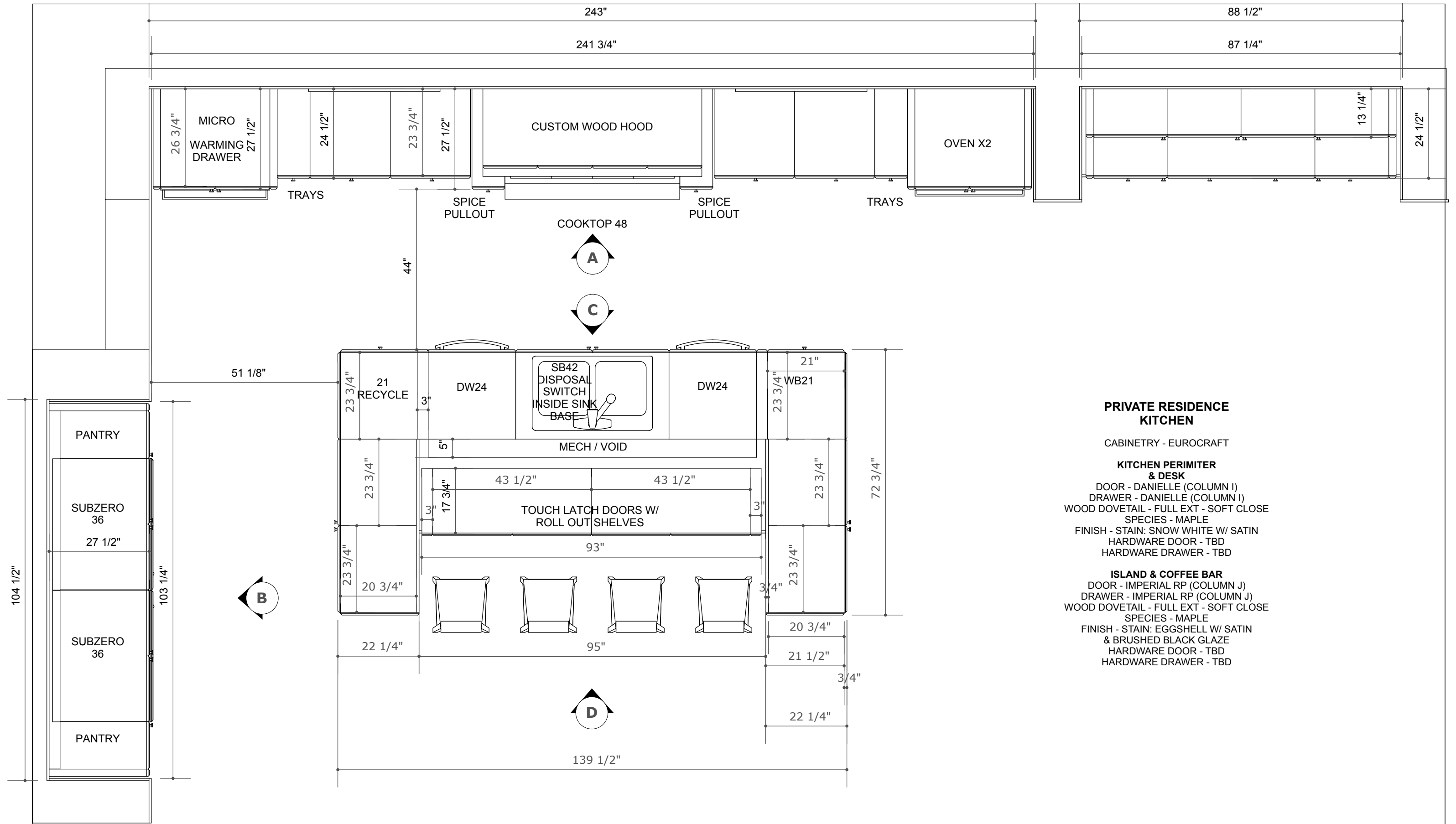


PERSPECTIVE :: B
scale:nts



PERSPECTIVE :: C
 scale:nts

1	06/24/2012	ORIGINAL		
2	10/25/2012	CURRENT	PROPOSED FINAL	



PRIVATE RESIDENCE KITCHEN

CABINETRY - EURO-CRAFT

KITCHEN PERIMETER & DESK

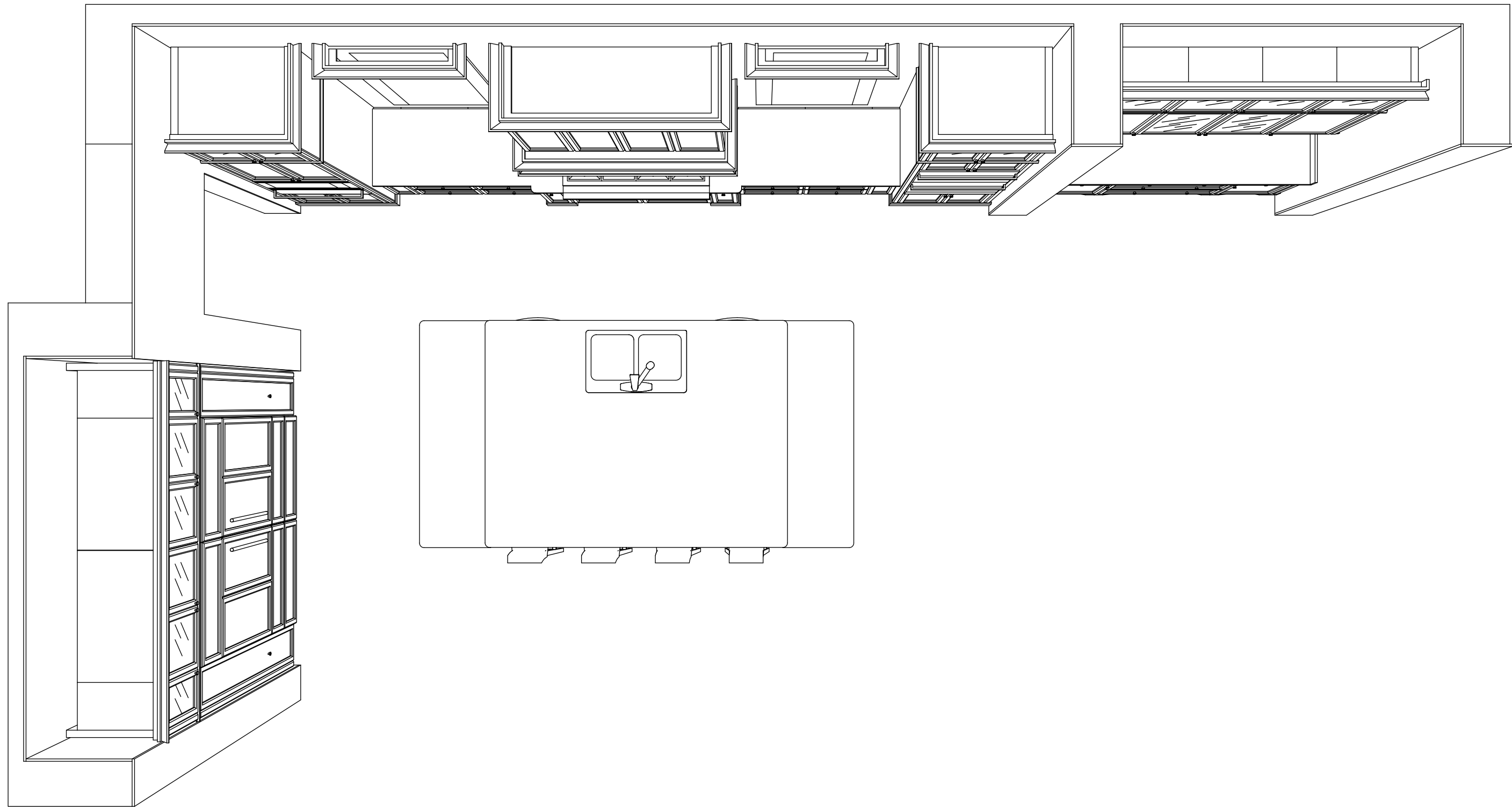
DOOR - DANIELLE (COLUMN I)
 DRAWER - DANIELLE (COLUMN I)
 WOOD DOVETAIL - FULL EXT - SOFT CLOSE
 SPECIES - MAPLE
 FINISH - STAIN: SNOW WHITE W/ SATIN
 HARDWARE DOOR - TBD
 HARDWARE DRAWER - TBD

ISLAND & COFFEE BAR

DOOR - IMPERIAL RP (COLUMN J)
 DRAWER - IMPERIAL RP (COLUMN J)
 WOOD DOVETAIL - FULL EXT - SOFT CLOSE
 SPECIES - MAPLE
 FINISH - STAIN: EGGSHELL W/ SATIN & BRUSHED BLACK GLAZE
 HARDWARE DOOR - TBD
 HARDWARE DRAWER - TBD

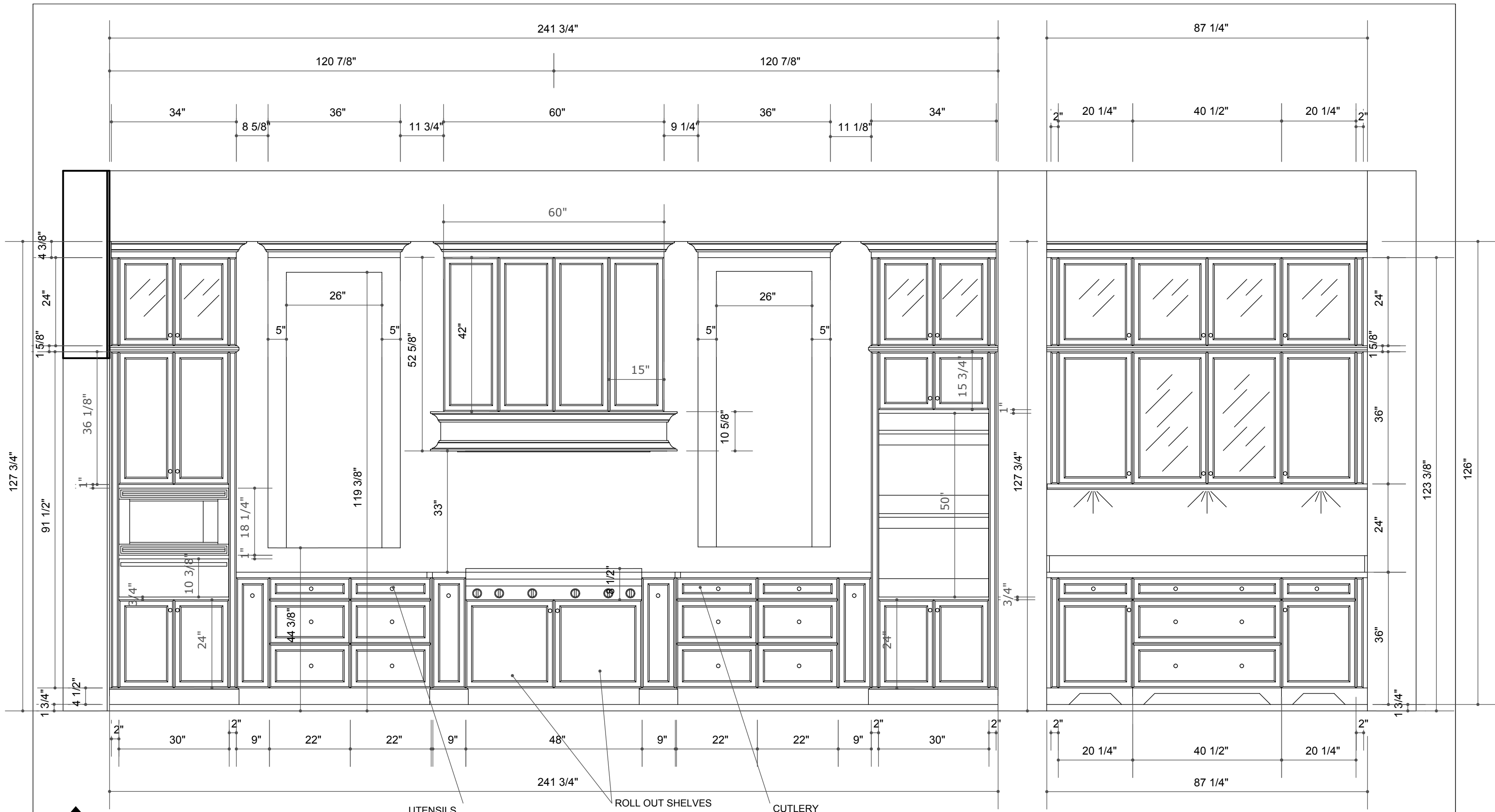
FLOOR PLAN :: A
 scale: 1/2"

1	06/24/2012	ORIGINAL		
2	10/25/2012	CURRENT	PROPOSED FINAL	



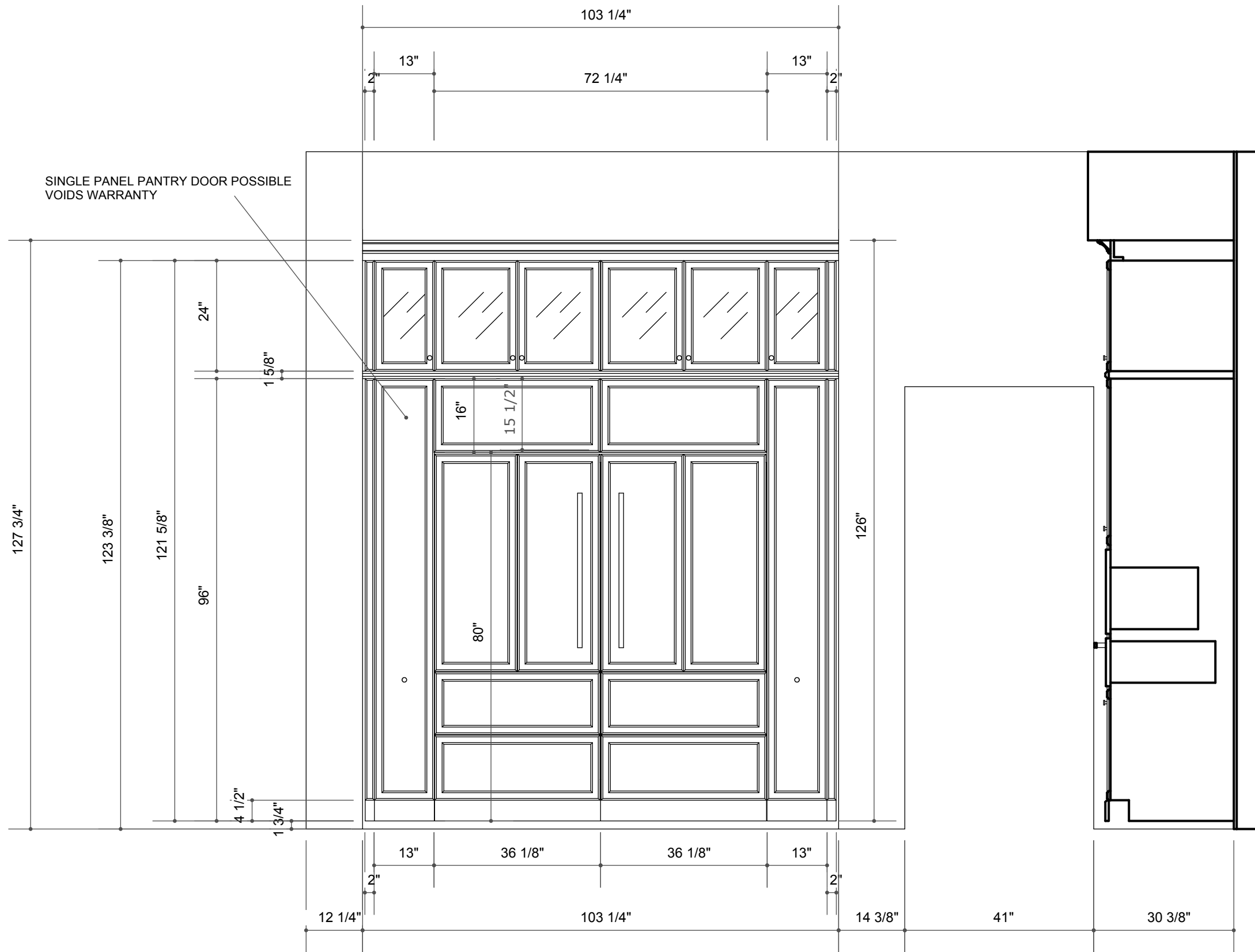
FLOOR PLAN :: B
scale: nts

1	06/24/2012	ORIGINAL		
2	10/25/2012	CURRENT	PROPOSED FINAL	



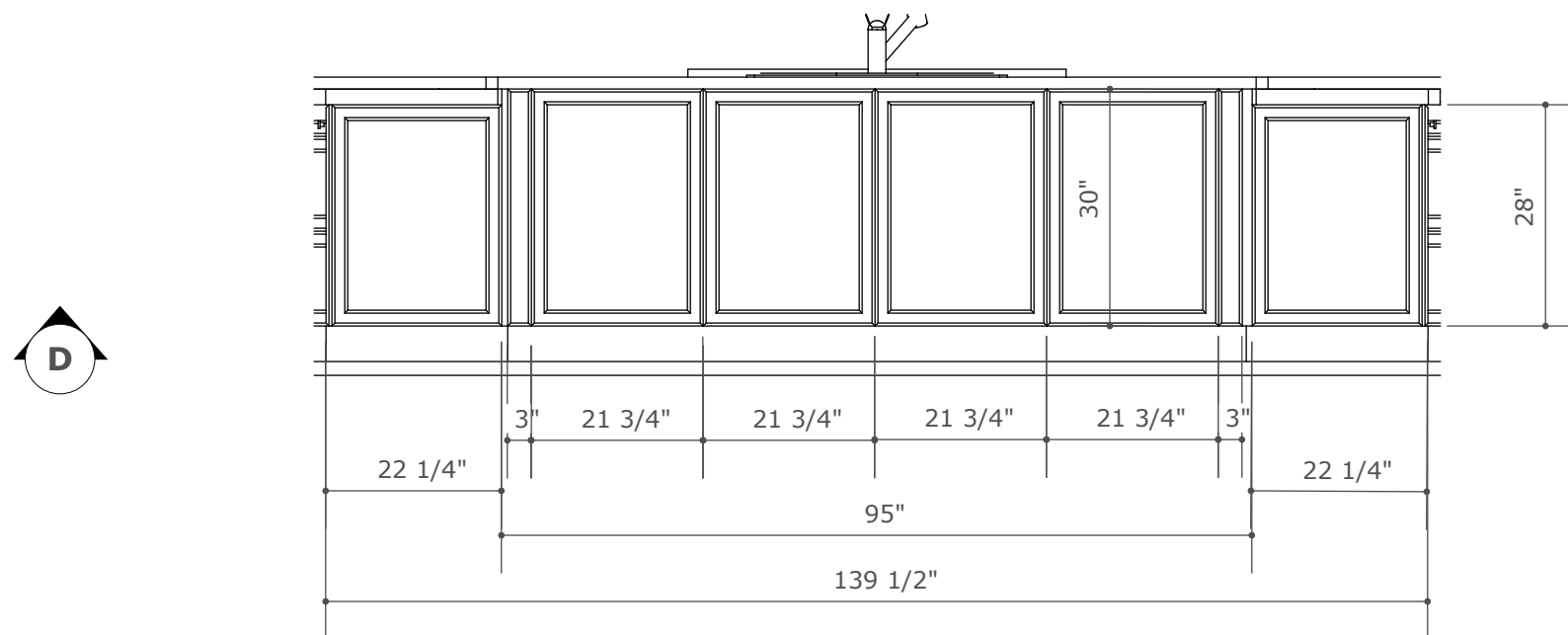
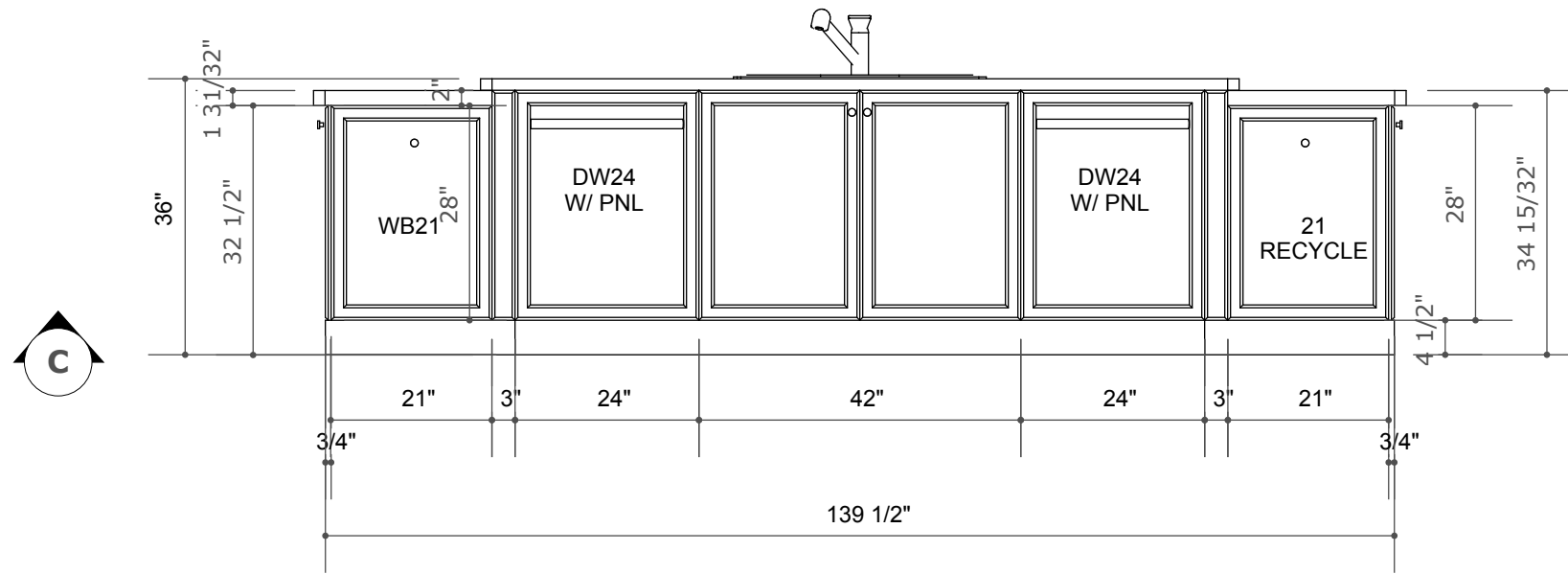
ELEVATION PLAN :: A
 scale: 1/2"

1	06/24/2012	ORIGINAL		
2	10/25/2012	CURRENT	PROPOSED FINAL	



ELEVATION PLAN :: B
 scale: 1/2"

1	06/24/2012	ORIGINAL	
2	10/25/2012	CURRENT	PROPOSED FINAL



ISLAND ELEVATION PLAN ::
 scale: 1/2"